

SOLAR MODULES MD060M(36)



Characteristics

Model	MD075M(36)	MD070M(36)	MD065M(36)	MD060M(36)
Module Efficiency	14.63%	13.65%	12.68%	11.70%
Open circuit voltage(Voc)	22.2V	22.1V	21.8V	21.6V
Optimum operating voltage(Vmp)	17.8V	17.6V	17.3V	17.1V
Short circuit current(Isc)	4.53A	4.25A	4.01A	3.73A
Optimum operating current(Imp)	4.22A	3.98A	3.76A	3.51A
Maximum Power at STC(Pm)	75Wp	70Wp	65Wp	60Wp

STC: Irradiance 1000W/m², Module temperature 25°C, AM=1.5.

Specifications

Cell	Mono-crystalline silicon solar cells 156×78mm
No. of cells and connections	36(4×9)
Dimension of module (mm)	771×665×30 mm
Weight	6.2Kg
Power Tolerance	±3%

Limits

Operating temperature	-40°C ~ +85°C
Maximum system voltage	(IEC)715 V DC (UL)600VDC
Maximum Series Fuse Rating	10A

Temperature and Coefficients

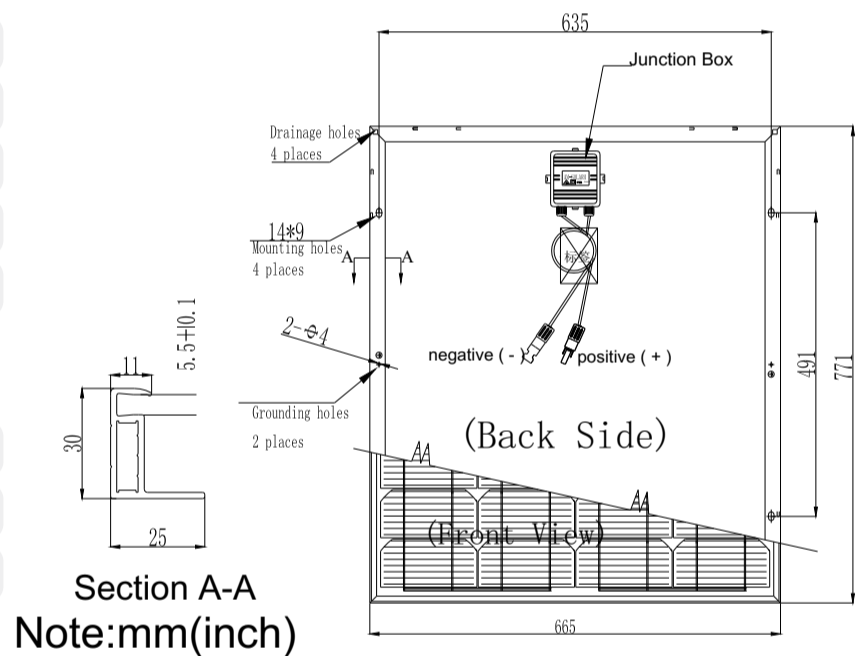
NOCT	45±2°C
Temp. Coeff.of Isc(TK Isc)	0.05%/°C
Temp. Coeff.of Voc(TK Voc)	-0.33% /°C
Temp. Coeff.of Pmax(TK Pmax)	-0.45%/°C
Maximum wind loads	2400Pa
Maximum snow load	5400Pa
Maximum Hail diameter @ 23m/s	25mm

NOCT: Nominal Operation Cell temperature

Output

Type of output terminal	Junction box
Cable	NanYang(4.0mm ²)
Asymmetrical lengths	700mm (-), 700mm(+)
Connection	MC4

Blueprint of the module



60W PV I-V characteristic curves

