

SOLAR MODULES MD010P(36)



Characteristics

Model	MD010P(36)
Module Efficiency	8.77%
Open circuit voltage(Voc)	21.2V
Optimum operating voltage(Vmp)	17.1V
Short circuit current(Isc)	0.64A
Optimum operating current(Imp)	0.59A
Maximum Power at STC(Pm)	5Wp

STC: Irradiance 1000W/m², Module temperature 25°C, AM=1.5.

Specifications

Cell	poly-crystalline silicon solar cells 78×26mm
No. of cells and connections	36(4×9)
Dimension of module (mm)	310x368x18mm
Weight	1.5Kg
Power Tolerance	±5%

Limits

Operating temperature	-40°C ~ +85°C
Maximum system voltage	(IEC)715 V DC (UL)600VDC
Maximum Series Fuse Rating	1A

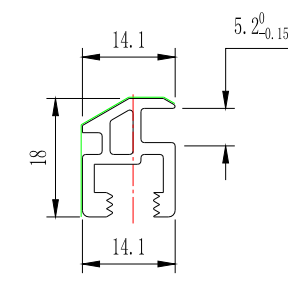
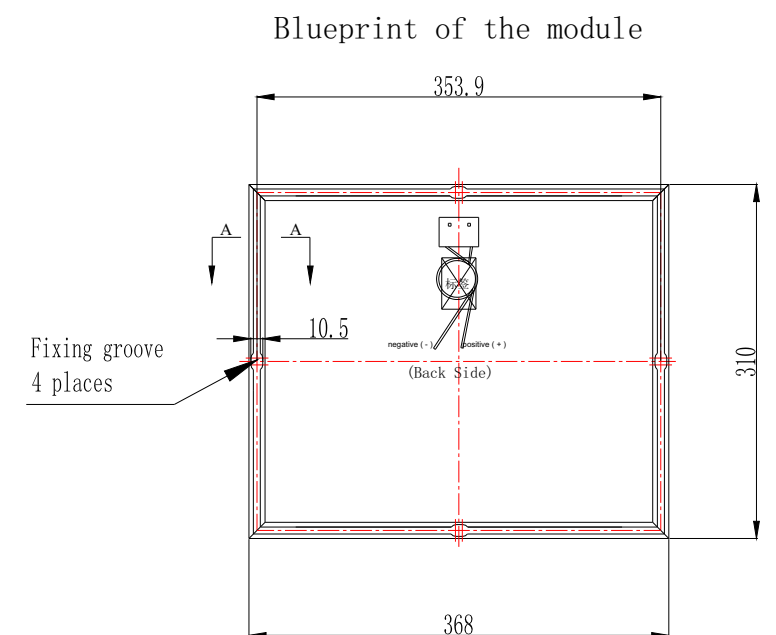
Temperature and Coefficients

NOCT	45 ± 2°C
Temp. Coeff.of Isc(TK Isc)	0.065%/°C
Temp. Coeff.of Voc(TK Voc)	-0.32% /°C
Temp. Coeff.of Pmax(TK Pmax)	-0.45%/°C
Maximum wind loads	2400Pa
Maximum snow load	5400Pa
Maximum Hail diameter @ 23m/s	25mm

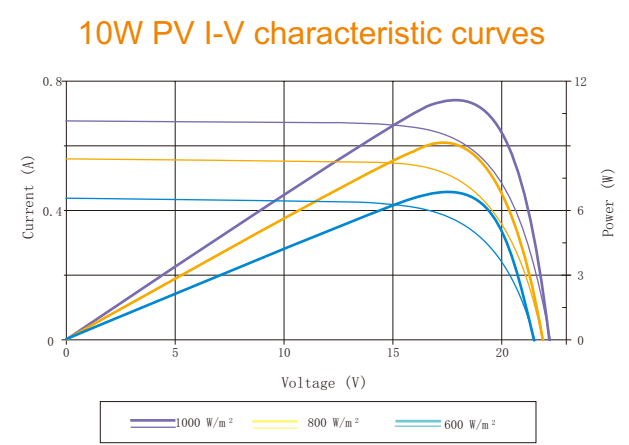
NOCT: Nominal Operation Cell temperature

Output

Type of output terminal	Junction box
Cable	NanYang(2×0.75mm ²)
Asymmetrical lengths	500mm (-), 500mm(+)
Connection	



Section A-A
Note:mm(inch)



Packing Quantity

Container	20GP	40HC
Pallets per container	6	14
Pieces per container	3600	10080

