

SOLAR MODULES MD060P(36)



Characteristics

Model	MD070P(36)	MD065(36)	MD060P(36)
Module Efficiency	13.65%	12.68%	11.70%
Open circuit voltage(Voc)	22.1 V	21.8V	21.6V
Optimum operating voltage(Vmp)	17.5 V	17.3 V	17.1V
Short circuit current(Isc)	4.24A	4.01A	3.73A
Optimum operating current(Imp)	4.0A	3.76A	3.51A
Maximum Power at STC(Pm)	70Wp	65Wp	60Wp

STC: Irradiance 1000W/m², Module temperature 25°C, AM=1.5.

Specifications

Cell	poly-crystalline silicon solar cells 156×78mm
No. of cells and connections	36(4×9)
Dimension of module (mm)	771x665x30mm
Weight	6.2Kg
Power Tolerance	±3%

Limits

Operating temperature	-40°C ~ +85°C
Maximum system voltage	(IEC)715 V DC (UL)600VDC
Maximum Series Fuse Rating	10A

Temperature and Coefficients

NOCT	45 ± 2°C
Temp. Coeff.of Isc(TK Isc)	0.065%/°C
Temp. Coeff.of Voc(TK Voc)	-0.32% /°C
Temp. Coeff.of Pmax(TK Pmax)	-0.45%/°C
Maximum wind loads	2400Pa
Maximum snow load	5400Pa
Maximum Hail diameter @ 23m/s	25mm

NOCT: Nominal Operation Cell temperature

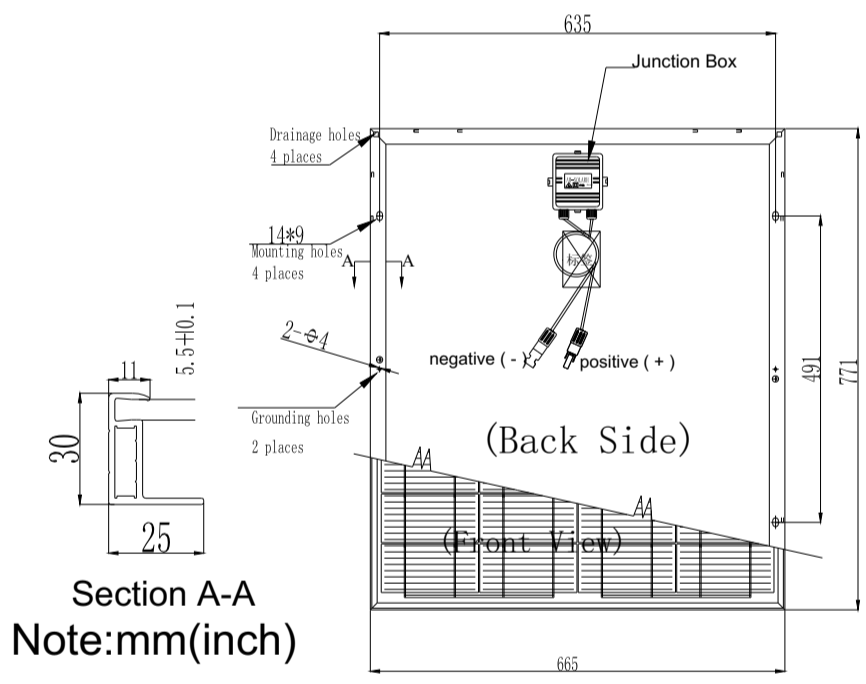
Output

Type of output terminal	Junction box
Cable	NanYang(4.0mm ²)
Asymmetrical lengths	700mm (-), 700mm(+)
Connection	MC4

Packing Quantity

Container	20GP	40HC
Pallets per container	6	14
Pieces per container	792	2016

Blueprint of the module



60W PV I-V characteristic curves

