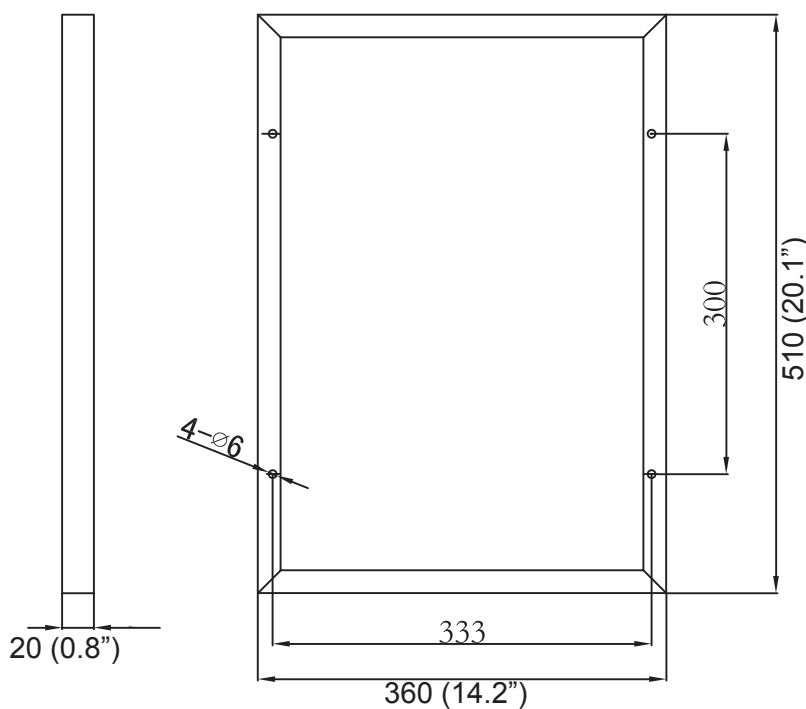




25w Polycrystalline Solar Module

- Made with 36 high efficiency 1/6 polycrystalline cells
- Robust anodized aluminum frame with mounting holes will stand up to years of abuse without corrosion or weakening
- Perfect for off-grid uses like battery charging and other 12V applications
- Industry-standard MC-4 connectors for easy plug-and-play use



Units in mm (in)

ZBR-25P	
STC Power	25 w
Vmp	17.3 V
Imp	1.45 A
Voc	21.8 V
Isc	1.55 A
Module Efficiency	13.6%
Max Sys Voltage	600 V
Max Series Fuse	5 A
Tolerance	± 3%
Dimensions	20.1 x 14.2 x 0.8 in
Weight	2 kg / 4.5 lbs
Connector Type	MC-4
# cells	36 (156x26mm)
Temperature Coefficients	
NOCT	48 ± 2°C
Pm	-0.45 %/°C
Voc	-0.35 %/°C
Isc	+0.05 %/°C

info@zebra-energy.com