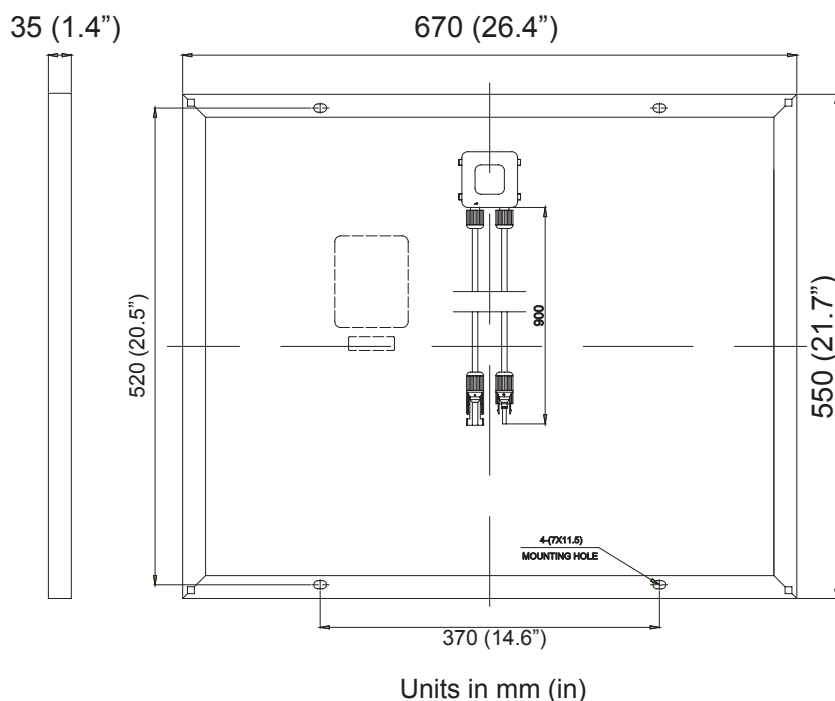




50w Polycrystalline Solar Module

- Made with 36 high efficiency 1/3 polycrystalline cells
- Robust anodized aluminum frame with mounting holes will stand up to years of abuse without corrosion or weakening
- Perfect for off-grid uses like battery charging and other 12V applications
- Industry-standard MC-4 connectors for easy plug-and-play use



ZBR-50P	
STC Power	50 w
Vmp	17.0 V
Imp	2.94 A
Voc	20.8 V
Isc	3.2 A
Module Efficiency	13.9%
Max Sys Voltage	600 V
Max Series Fuse	10 A
Tolerance	± 3%
Dimensions	21.7 x 26.4 x 1.4 in
Weight	5 kg / 11 lbs
Connector Type	MC-4
# cells	36 (156x52mm)
Temperature Coefficients	
NOCT	48 ± 2°C
Pm	-0.45 %/°C
Voc	-0.35 %/°C
Isc	+0.05 %/°C

info@zebra-energy.com