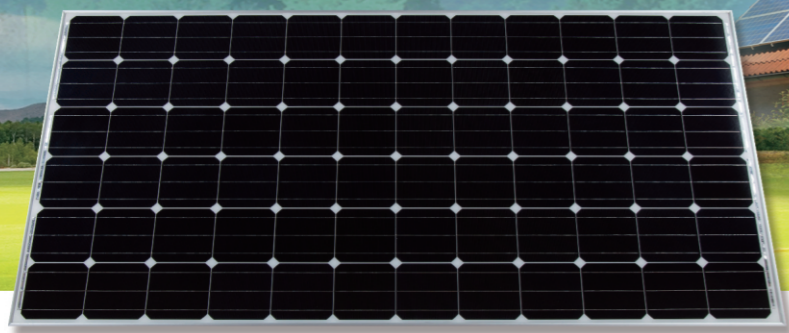


单晶太阳能电池组件--72片串

Mono Crystalline Solar Module --6inch*72



Cell efficiency
电池片转化率>17.6%



Material & workmanship warranty
10年的材料与工艺保修



Linear power output warranty
25年的线性质保



EL Double Inspection
2次EL测试



Good temperature coefficient enables
higher output in high temperature regions
低辐射度高性能保证



Certified to bear 2,400Pa wind load and
5,400Pa snow load
5400帕雪压载荷, 2400帕风压载荷

TUV / CE / PID

- IEC / EN 61215:2005 • IEC 61730-1:2004 / EN 61730-1:2007
- IEC 61730-2:2004 / EN 61730-2:2007 • The fire test (MST 23 of IEC 61730-2)

Electrical characteristics at Standard Test Conditions (STC) 性能参数				
Model	SA315-72M	SA310-72M	SA305-72M	SA300-72M
Max Power - Pmpp (W) 最大功率 (W)	315	310	305	300
Positive power tolerance (%) 公差 (%)	±3%	±3%	±3%	±3%
Open Circuit Voltage - Voc (V) 开路电压 (V)	46.1	45.8	45.6	45.4
Short Circuit Current - Isc (A) 短路电流 (A)	9.0	8.9	8.8	8.7
Max Power Voltage-Vmpp (V) 最大工作电压 (V)	38.4	38.2	38	37.8
Max Power Current - Imp (A) 最大工作电流 (A)	8.2	8.1	8	7.9
Module Efficiency 组件转化效率	16	15.8	15.6	15.3

Electrical data relates to standard test conditions (STC): irradiance 1000 W/m²; AM 1.5; cell temperature 25°C measuring uncertainty of power is within ±3%.
Certified in accordance with IEC61215, IEC61730-1/2

Electrical Characteristics at Normal Operating Cell Temperature (NOCT) 电性能参数

Model				
Max Power - Pmpp (W) 峰值功率 (W)	230	226	223	219
Max Power Voltage - Vmpp (V) 最大工作电压 (V)	35.3	35.1	35.0	34.8
Max Power Current - Imp (A) 最大工作电流 (A)	6.5	6.4	6.4	6.3
Open Circuit Voltage - Voc (V) 开路电压 (V)	43.1	42.8	42.7	42.5
Short Circuit Current - Isc (A) 闭路电流 (A)	7.0	6.9	6.8	6.7

Electrical data relates to normal operating cell temperature (NOCT): irradiance 800 W/m²; wind speed 1 m/s; cell temperature 45 °C; ambient temperature 20 °C measuring uncertainty of power is within ±3%

Temperature Characteristics 温度系数

Operating Temperature 组件温度工作范围	-40°C~+90°C
Storage Temperature 组件存储温度范围	-40°C~+90°C
Temp.coefficient Voc 开路电压温度系数	0.35%±0.02°C
Temp.coefficient Isc 短路电流温度系数	+0.04%±0.0015°C
Temp.coefficient Power 功率温度系数	-0.5%±0.05°C
Nominal operating cell temperature 电池片额定工作温度	47°C±2°C

Maximum Ratings 最大额定值

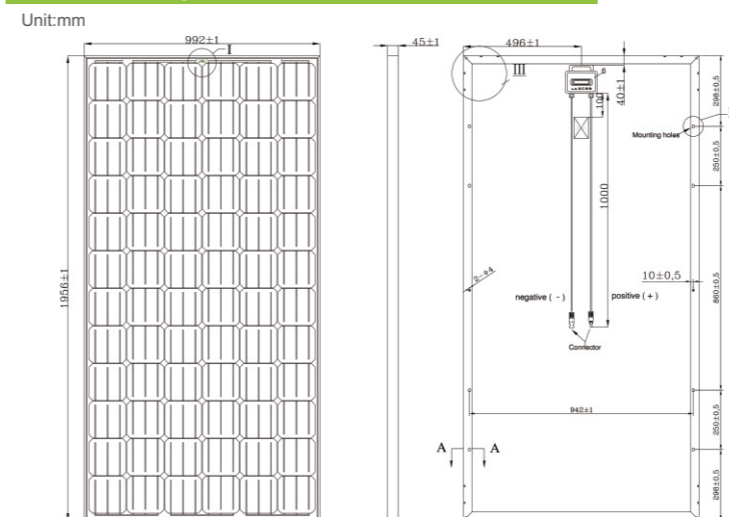
Maximum system voltage (V) 最大系统电压	1000V
Series fuse rating (A) 保险丝最大熔断值	15A
Reverse current overload (A) 反向电流过载	25A

Mechanical Characteristics 机械性能参数

Cell Type 电池片种类	Mono Crystalline Cell 单晶电池片 156*156mm
Cell Shape 形状	Rectangular 倒角正方形
No.of Cell 电池片数量	72 (6*12)
Dimensions 外形尺寸	1956*992*45mm (Length/长*Width/宽*Depth/高)
Weight 重量	21.5kg
Frame 边框	Anodized aluminum profile 铝合金型材

Front glass 玻璃	Low iron tempered glass/3.2 mm 低铁超白钢化玻璃
Cell Encapsulation 电池片封装	EVA (Ethylene-Vinyl-Acetate) EVA胶膜
Back Sheet 背板	TPE Composite film TPE复合薄膜
Junction Box 接线盒	Rated current 额定电流≥ 12A, IP ≥ 65, TUV
Cable 线	Length 900 mm, 1 × 4 mm ²
Connector 连接器	MC 4

Module Drawing With Measures 外型装配图



Packaging 包装信息

Container 20' /20尺柜	240pcs
Container 40' /40尺柜	490pcs
Container 40'HC /40尺高柜	556pcs

