

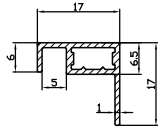
10-12 Watt

POLY CRYSTALLINE MODULE 36x(77mmx26mm)

www.risenenergy.com
THE POWER OF RISING VALUE

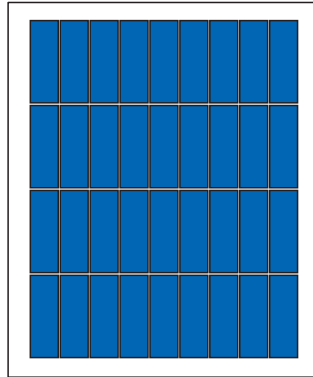
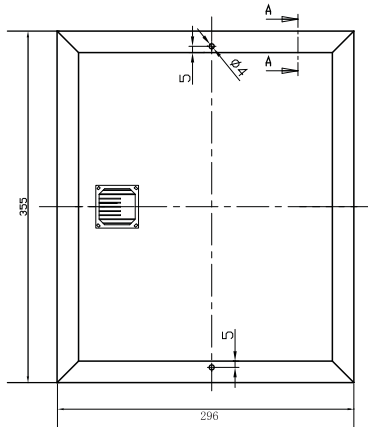


Electrical Characteristics



Model	Pm(Wp)	Tolerance	Vm(V)	Im(A)	Voc(V)	Isc(A)
SYP10S	10W	+3%	16.8	0.60	21.3	0.71
SYP12S	12W	+3%	17.0	0.71	21.7	0.83

Valued at STC (AM 1.5, 1000W/m², 25°C)



Specifications

- Number of poly crystalline solar cell 36pcsx(77mmX26mm)
- Aluminum frame, dimension 355x296x17mm
- Weight 1.30kg
- Temperature coefficient of VOC(β) = -0.39%/°C
- Temperature coefficient of ISC(α) = +0.033%/°C
- Temperature coefficient of Pmax = -0.44%/°C
- Bypass diodes to reduce loss in partial shadow
- IP65
- CE Standard
- Performance test data for each module