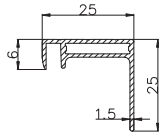


# 50 Watt

## MONO CRYSTALLINE MODULE 72x(78mmx52mm)

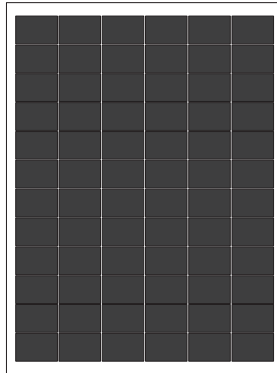
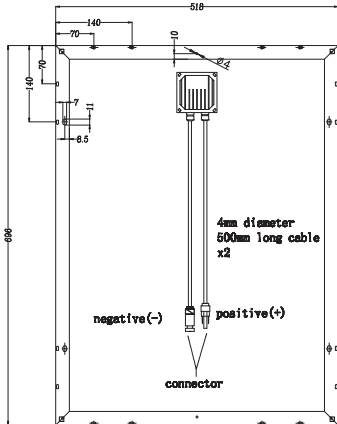
www.risenenergy.com  
THE POWER OF RISING VALUE



### Electrical Characteristics

| Model  | Pm(Wp) | Tolerance | Vm(V) | Im(A) | Voc(V) | Isc(A) |
|--------|--------|-----------|-------|-------|--------|--------|
| SYP50M | 50W    | +3%       | 35.8  | 1.40  | 44.7   | 1.56   |

Valued at STC (AM 1.5, 1000W/m<sup>2</sup>, 25°C)



### Specifications

- Number of mono crystalline solar cell 72pcs(78mmX52mm)
- Aluminum frame, dimension 696x518x25mm
- Weight 4.3kg
- Temperature coefficient of VOC( $\beta$ ) = -0.39%/°C
- Temperature coefficient of ISC( $\alpha$ ) = +0.033%/°C
- Temperature coefficient of Pmax = -0.44%/°C
- Bypass diodes to reduce loss in partial shadow
- IP65
- CE Standard
- Performance test data for each module