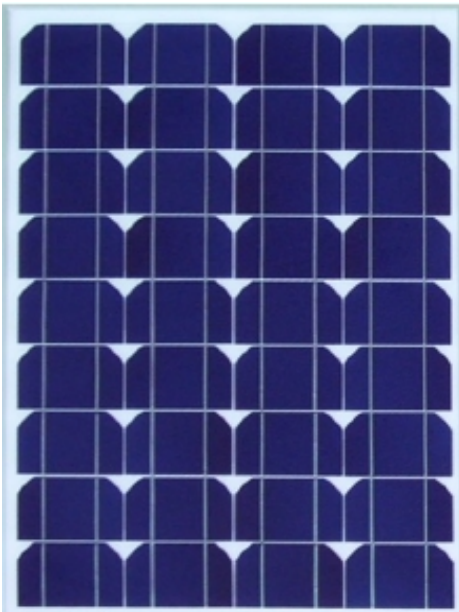




Model No.: SW080M



Sunworth solar, we commit ourselves to R&D, manufacture and technical innovation on pv modules and solar power system.

To provide high quality products with various specifications to customers is always our pursuit.

Characteristics:

- Use high quality solar cells to advanced encapsulation
- Adopt high transparent low-iron tempered glass, high quality anti-UV EVA and back sheet.
- With multi-ply performance testing for each module, to ensure the product quality and output performance.
- Using anodization aluminum frame with anticorrosion, to ensure solar module working under extremely and badly outdoors environment

Warranty:

- Guarantee the workmanship for 3 years, 90% power output for 10years, and 80% power output for 20years.

**Production application:**

- Independent power supply for remote area,i.e. house lighting etc.
- Solar lighting,i.e.solar garden lamp,solar lawn lamp etc.
- Solar power system
- Other samll solar power supply

Electrical characteristics:

	SW080M
Max-power:Pm(W)	80W
Max-power voltage: Vm(V)	18.9V
Max-power current: Im(A)	4.23A
Open-circuit voltage:Voc(V)	22.7V
Short-circuit current: Isc(A)	4.66A
Max-system voltage(VDC)	600V
Operating temperature(°C)	-40°C~+85°C
Power tolerance	0~ +6%

*STC condition: 1000 W/m²,1.5AM and 25°C cell temperature.

Mechanical characteristics:

Type of solar cell	Monocrystalline
Lay up of solar cell	36(4*9)PCS
Dimension of solar module	765*660*25mm
Gross weight of solar module	5.5Kg
Front Cover	Low-iron Tempered glass/ 3.2mm
Frame	Anodization aluminum
Junction Box (protection degree)	IP65
Hailstone Impact	25mm at 23m/s

Rev1.1 2011

ADD:Guancheng Science & Technology Park, Shilong Road, Dongcheng District, Dongguan City,
Guangdong Province, and P.R.China

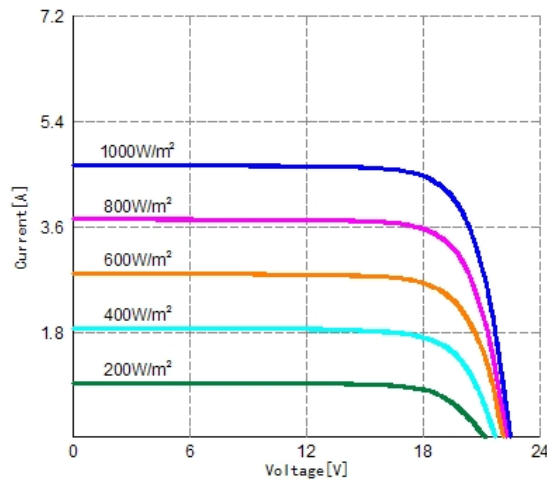
Tel:0769-23320882

Fax:0769-23320968

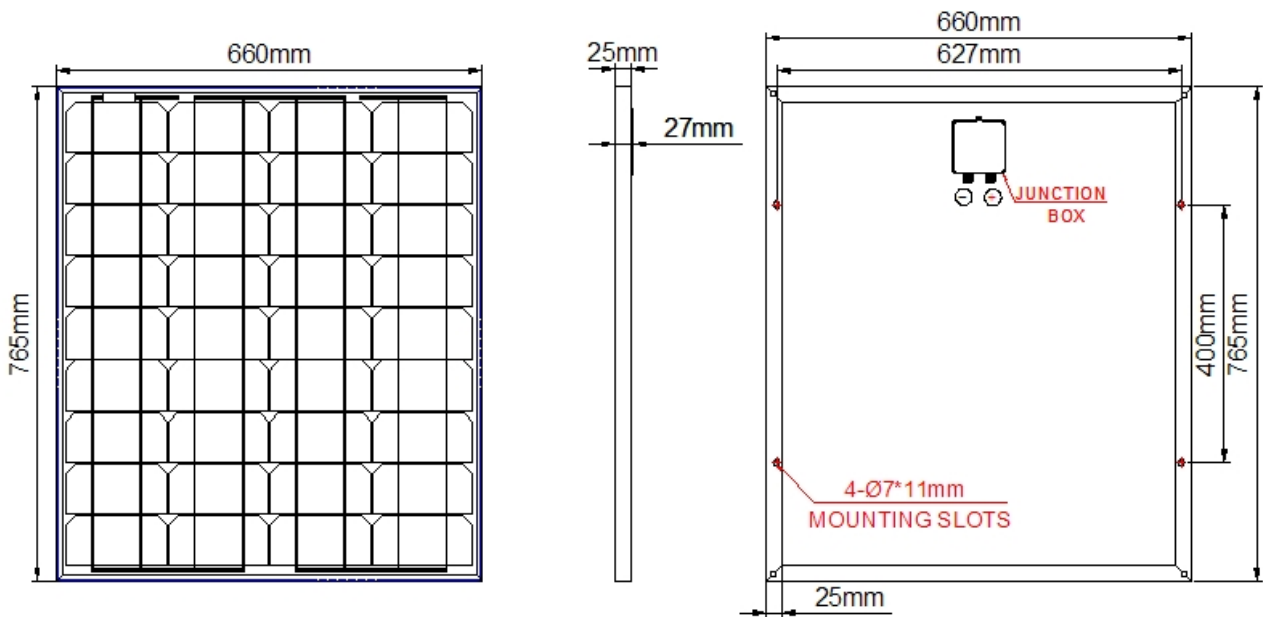
www.sun-worth.com



I-V curves:



Dimensions:



Rev1.1 2011

ADD:Guancheng Science & Technology Park, Shilong Road, Dongcheng District, Dongguan City,
Guangdong Province, and P.R.China

Tel.:0769-23320882

Fax:0769-23320968

www.sun-worth.com