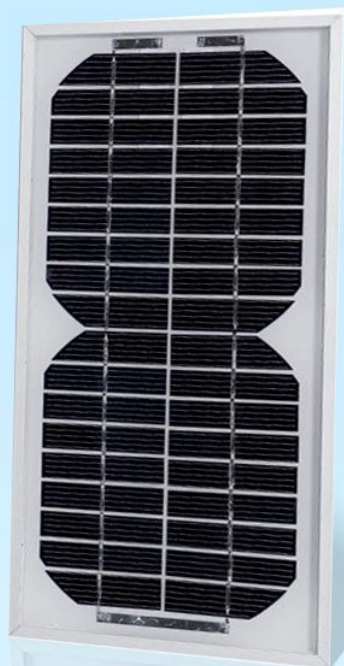


# Photovoltaic Module Monocrystalline

## GS-5M



### Quality and Safety

- \*Rigorous quality control meeting the highest international standards
- \*High-transmissivity low-iron tempered glass, strong aluminium frame Using UV-resistant silicon
- \*Safety Class II,conformity to CE

### Features

- \*Aesthetic appearance with excellent efficiency based on innovative photovoltaic technologies
- \*High quality,strong aluminium frame,passing mechanical load testing 5400 Pa and wind pressure 2400Pa

### Warranties

- \*10 years limited product warranty
- \*15 years at90% of the minimal rated power output
- \*25 years at80% of the minimal rated power output

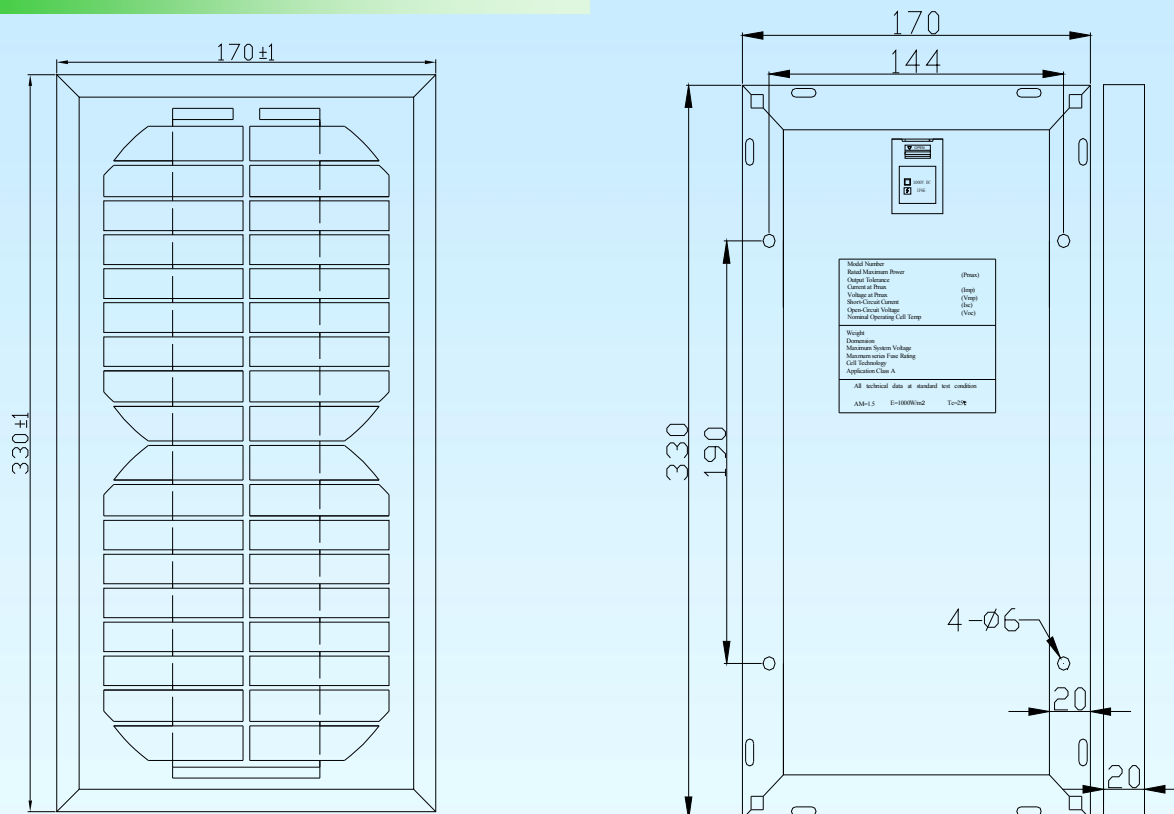
### Certificates



### Electrical Characteristics

Model	GS-5M
Maximum Power at STC (P <sub>max</sub> )	5W
Optimum Operating Voltage (V <sub>mp</sub> )	17.8V
Optimum Operating Current (I <sub>mp</sub> )	0.281A
Open-Circuit Voltage (V <sub>oc</sub> )	22.2V
Short-Circuit Current (I <sub>sc</sub> )	0.301A
Solar Cell Efficiency (%)	16.90
Solar Module Efficiency (%)	8.90
Operating Temperature	-40to85°C
Maximum System Voltage	DC1000
Maximum Series Fuse Rating	15A
Power Tolerance	+/-3%
STC:Irradiance 1000W/m <sup>2</sup> ,Modules Temperature 25°C,AM=1.5	

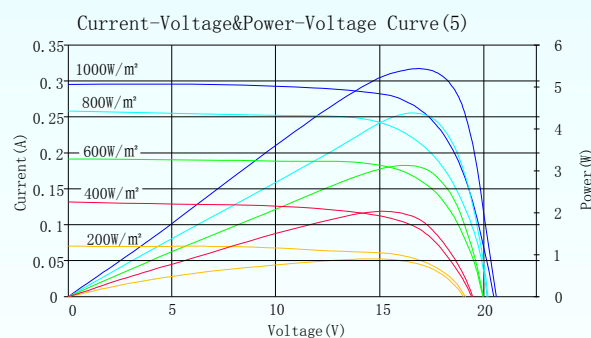
## Engineering Drawings



## Mechanical Characteristics

Solar cell	Mono-Crystalline 125*1/18
No. of cells	36(2×18)
Dimensions	330mm*170mm*20mm
Weight	0.6kg
Front glass	3.2mm tempered glass
Frame	Anodized aluminium alloy
Junction box	PV-LH0803
Connector	/
Output cables	/
1*20'	/
1*40'	/
1*40'HQ	/

## IV-Curves



## Temperature Coefficient

Nominal Operating Cell Temperature (NOCT)	47°C ± 2°C
Temperature Coefficient of Pmax	-0.47%/K
Temperature Coefficient of VOC	-0.346%/K
Temperature Coefficient of ISC	+0.036%/K