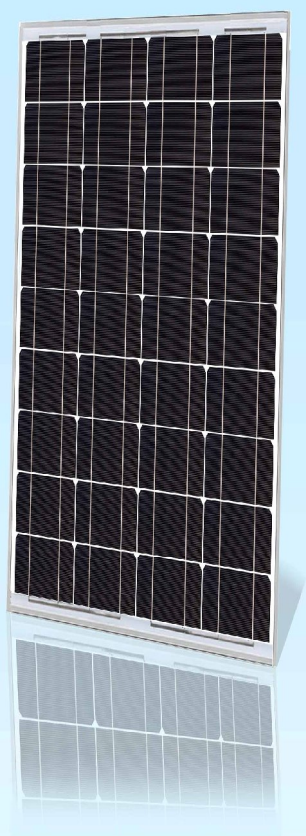


# Photovoltaic Module Monocrystalline

## GS-120M



### Quality and Safety

- \*Rigorous quality control meeting the highest international standards
- \*High-transmissivity low-iron tempered glass, strong aluminium frame Using UV-resistant silicon
- \*Safety Class II,conformity to CE

### Features

- \*Aesthetic appearance with excellent efficiency based on innovative photovoltaic technologies
- \*High quality,strong aluminium frame,passing mechanical load testing 5400 Pa and wind pressure 2400Pa

### Warranties

- \*10 years limited product warranty
- \*15 years at90% of the minimal rated power output
- \*25 years at80% of the minimal rated power output

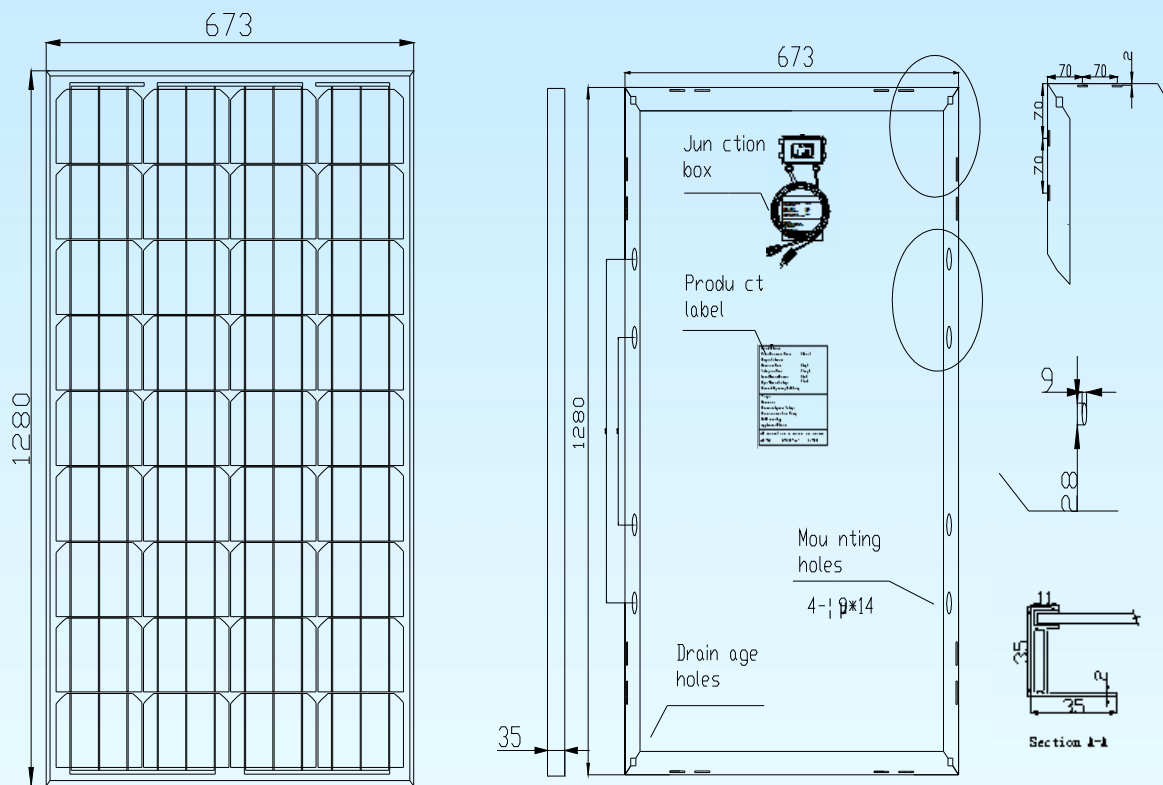
### Certificates



### Electrical Characteristics

Model	GS-120M
Maximum Power at STC (P <sub>max</sub> )	120W
Optimum Operating Voltage (V <sub>mp</sub> )	17.3V
Optimum Operating Current (I <sub>mp</sub> )	6.937A
Open-Circuit Voltage (V <sub>oc</sub> )	21.60V
Short-Circuit Current (I <sub>sc</sub> )	7.507A
Solar Cell Efficiency (%)	17.25
Solar Module Efficiency (%)	15.24
Operating Temperature	-40to85℃
Maximum System Voltage	DC1000
Maximum Series Fuse Rating	15A
Power Tolerance	+/-3%
STC:Irradiance 1000W/m <sup>2</sup> ,Modules Temperature 25℃,AM=1.5	

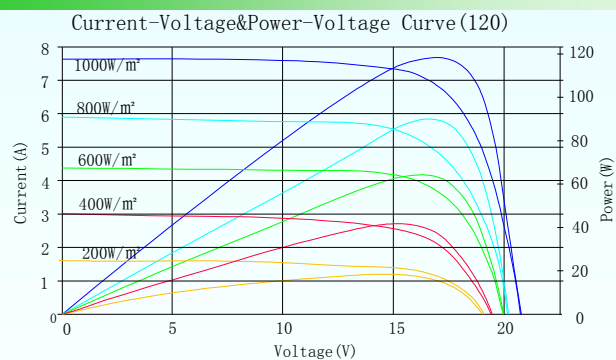
## Engineering Drawings



## Mechanical Characteristics

Solar cell	Mono-Crystalline 156*133mm
No.of cells	36(4×9)
Dimensions	1280mm*673mm*35mm
Weight	10.5kg
Front glass	3.2mm tempered glass
Frame	Anodized aluminium alloy
Junction box	PV-LH0808
Connector	Plug and socket
Output cables	PV 2.5mm <sup>2</sup> ,0.9m
1*20'	/
1*40'	/
1*40'HQ	/

## IV-Curves



## Temperature Coefficient

Nominal Operating Cell Temperature (NOCT)	47°C±2°C
Temperature Coefficient of Pmax	-0.47%/K
Temperature Coefficient of VOC	-0.351%/K
Temperature Coefficient of ISC	+0.035%/K