



Datasheet

Crystalline PV Module

Baseline CHSM6610P Series

EN

220	225	230	235	240	245	250
-----	-----	-----	-----	-----	-----	-----

ELECTRICAL SPECIFICATIONS

	220 Wp	225 Wp	230 Wp	235 Wp	240 Wp	245 Wp	250 Wp
STC rated output (P _{mpp})*	220 Wp	225 Wp	230 Wp	235 Wp	240 Wp	245 Wp	250 Wp
PTC rated output (P _{mpp})**	199.9 Wp	204.6 Wp	209.2 Wp	213.9 Wp	218.5 Wp	223.2 Wp	227.9 Wp
Standard sorted output	-0/+5 Wp						
Warranted power output STC (P _{mpp min})	220 Wp	225 Wp	230 Wp	235 Wp	240 Wp	245 Wp	250 Wp
Rated voltage (V _{mpp}) at STC	28.02 V	28.40 V	28.78 V	29.16 V	29.54 V	29.92 V	30.30 V
Rated current (I _{mpp}) at STC	7.86 A	7.92 A	7.99 A	8.06 A	8.13 A	8.20 A	8.27 A
Open circuit voltage (V _{oc}) at STC	36.92 V	37.14 V	37.35 V	37.56 V	37.77 V	37.98 V	38.19 V
Short circuit current (I _{sc}) at STC	8.46 A	8.49 A	8.53 A	8.56 A	8.59 A	8.62 A	8.65 A
Module efficiency	13.4%	13.7%	14.0%	14.3%	14.6%	14.9%	15.2%
Rated output (P _{mpp}) at NOCT	165.0 Wp	168.8 Wp	172.5 Wp	176.3 Wp	180.0 Wp	183.8 Wp	187.5 Wp
Rated voltage (V _{mpp}) at NOCT	25.36 V	25.74 V	26.08 V	26.42 V	26.75 V	27.06 V	27.37 V
Rated current (I _{mpp}) at NOCT	6.51 A	6.56 A	6.61 A	6.67 A	6.73 A	6.79 A	6.85 A
Open circuit voltage (V _{oc}) at NOCT	33.73 V	33.93 V	34.12 V	34.31 V	34.50 V	34.70 V	34.89 V
Short circuit current (I _{sc}) at NOCT	7.12 A	7.15 A	7.18 A	7.21 A	7.23 A	7.26 A	7.28 A
Temperature coefficient (P _{mpp})	- 0.469%/K						
Temperature coefficient (I _{sc})	+0.052%/K						
Temperature coefficient (I _{mpp})	- 0.008%/K						
Temperature coefficient (V _{mpp})	- 0.463%/K						
Temperature coefficient (V _{oc})	- 0.344%/K						
Normal operating cell temperature (NOCT)	43±2°C						
Maximum system voltage SCII							1000 Vdc
Maximum system voltage NEC							600 Vdc
Number of diodes							6
Maximum series fuse rating							15 A

* Measurement tolerance +/- 3%

** Estimated



QUALIFICATION AND WARRANTIES

Product standard	IEC 61215, 61730 / UL 1703
Extended product warranty	10 years
Output warranty of 90% performance P_{mpp} (STC)	10 years
Output warranty of 80% performance P_{mpp} (STC)	25 years
MunichRe Warranty	25 years

CELL TECHNOLOGY

Cell type	polycrystalline
Number of cells / cell arrangement	60 / 6 x10
Cells dimension	6"

MECHANICAL SPECIFICATIONS

Outer dimensions (L x W x H)	1652 x 994 x 35 mm 65.04 x 39.13 x 1.38 in
Frame technology	Aluminum, silver anodized
Module composition	Glass / EVA / Backsheet (white)
Weight (module only)	19 kg / 41.8 lbs
Front glass thickness	3.2 mm / 0.13 in
Junction box IP rating	IP 65
Cable length / diameter (UL)	1000 mm / 39.37 in / 12 AWG
Cable length / diameter (IEC)	1000 mm / 39.37 in / 4 mm ²
Maximum load capacity*	5400 Pa
Fire class	C
Connector type (UL)	Multi Contact type 4
Connector type (TUV)	MC type 4 compatible

* Only limit to portrait installation

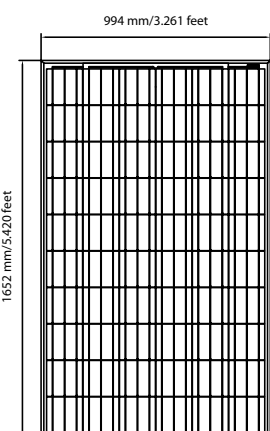
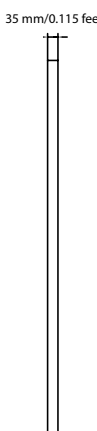
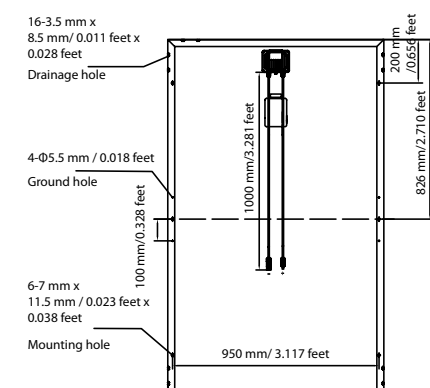
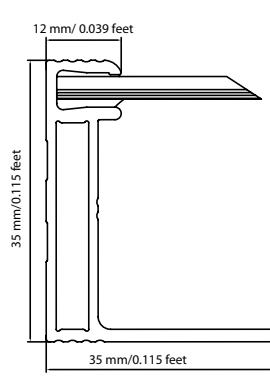
MISCELLANEOUS

Packing unit	28 modules
Weight of packing unit	585 kg / 1287 lbs

ARTICLE NUMBER (per panel)-Baseline' CHSM6610P Series

Model	Article No. (IEC)	Article No. (UL)
CHSM6610P-220	200087	200095
CHSM6610P-225	200088	200096
CHSM6610P-230	200089	200097
CHSM6610P-235	200090	200098
CHSM6610P-240	200091	200099
CHSM6610P-245	200092	200100
CHSM6610P-250	200093	200101

DETAILS DES DIMENSIONS DU MODULE

Front view	Side view	Rear view	Frame cross section
			

© Chint Solar (Zhejiang) Co., Ltd. All rights reserved.
Specifications and designs included in this datasheet are subject to change without notice.