



# 意派太阳能

## Polycrystalline Solar Module 255W to 270W 156EP260C-60多晶组件



### High Module Conversion Efficiency/组件转换效率高

Up to 16.50% conversion efficiency to ensure high quality /高达 16.50%转换效率



### Excellent Weak Light Performance/低辐照度下性能极佳

Excellent performance under low light environments (Mornings, evenings, and cloudy days)  
低辐照度下性能极佳，如清晨、晚间、阴天等



### Withstand High Wind Pressure/对抗高风压 Snow Loads and Extreme Temperature/雪载和极限温度

Entire module certified to withstand high wind loads 2400Pascal, snow loads 5400Pascal and extreme temperature  
组件能承受风压 2400 帕斯卡，雪载 5400 帕斯卡



## Why Choose EP Solar Modules?/ 为何选择意派太阳能组件

- Unrivaled manufacturing capacity and International standard quality/高产能，国际标准质量
- Strict quality control to make the world-class technology/严格的质检以保证世界级品质
- All products with TUV authentication/所有产品通过 TUV 认证
- Factory pass GMC (Glob Manufacturer Certificate) audit and ISO 9001:2008
- 工厂通过 GMC 认证和 ISO 9001:2008 质量管理体系认证



### Limited Warranty/

### 质量保证

- 5years material and workmanship warranty  
原材料 5 年质保
- 25years limited warranty on power output  
保证最低 25 年功率输出
- 90% power output assurance 10r 10years  
10 年保证 90%功率输出
- 80% power output assurance 10r 20years  
20 年保证 80%功率输出

### Applications/

### 应用

- Any large or small on-grid and of1-grid solar power station  
大中型并网、离网太阳能发电站
- Commercial, industrial or residencies roof-top system  
商业、工业或住宅屋顶系统
- Any commercial or industrial ground mounted system  
商业或工业地面安装系统
- Other commercial and industrial applications  
其他商业或工业应用

#### Mechanical Characteristics/机械特性

Solar Cell/电池片	Polycrystalline156*156mm(6inches)
No.of Cells/电池片	60 (6*10)
Diamention/尺寸	1650*992*35mm (65.0*39.1*1.4inches)
Weight/净重	18.0kgs (39.6lbs.)
Front Glass/前板	3.2mm(0.13inches)low iron tempered glass
Frame/边框	Anodized aluminum alloy
Junction Box/接线盒	IP67 rated
Output Cables/线缆	TUV certified, 4.0mm <sup>2</sup> , 900mm length
Connectors/连接器	Compatible connector

#### Temperature Characteristics/温度特性

Nominal Operating Cell Temperature (NOCT) /额定电池工作温度	45±2℃
Temperature Coefficient of Pmax/最大功率温度系数	-0.47%/℃
Temperature Coefficient of Voc/开路电压温度系数	-0.34%/℃
Temperature Coefficient of Isc/短路电流温度系数	0.06%/℃

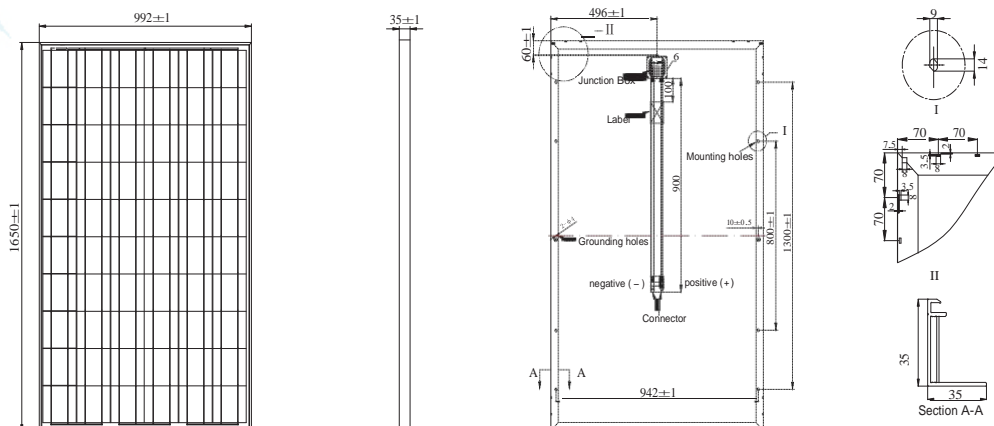
#### Absolute Ratings/绝对条件

Dielectric Insulation Voltage	3000V
Storage Temperature/储存温度	-40℃to+85℃
Mechanical Load/机械载荷	5400Pa

## sunshine Technology Wisdom Energy/阳光科技智慧能源

### Offer effective, stable, safe and profitable alternative solar energy solutions for all!

为顾客提供高效、稳定、安全、最优异投资回报的太阳能替代能源解决方案



### Electrical Characteristics/电气特征

#### STC (Standard Test Conditions)/标准测试条件

Type/类型	EP270C-60	EP265C-60	EP260C-60	EP255C-60
Maximum Power at STC (Pmax)/最大功率	270W	265W	260W	255W
Optimum Operating Voltage (Vmp)/最佳工作电压	30.8V	30.8V	30.6V	30.5V
Optimum Operating Current (Imp)/最佳工作电流	8.75A	8.61A	8.5A	8.37A
Open Circuit Voltage (Voc)/开路电压	38.4V	38.3V	38.2V	38.1V
Short Circuit Current (Isc)/短路电流	9.23A	9.1A	9A	8.88A
Maximum System Voltage/最大系统电压	IEC:1000V DC / UL:600V DC			
Maximum Series Fuse Rating/过流保护	15A			
Cell Efficiency/电池片转换效率	18.49%	18.15%	17.81%	17.46%
Module Efficiency/组件转换效率	16.50%	16.19%	15.88%	15.58%
Operating Module Temperature/组件工作温度	-40°C to +85°C			

STC: Irradiance 1000W/m<sup>2</sup>, Module Temperature 25°C, AM1.5

标准测试条件: 辐照 1000W/m<sup>2</sup>, 组件温度 25°C, 大气质量 AM1.5

#### NOCT (Nominal Operating Cell Temperature)/额定电池工作温度

Type/类型	EP270C-60	EP265C-60	EP260C-60	EP255C-60
Maximum Power (Pmax)/最大功率	199W	196W	192W	189W
Maximum Power Voltage (Vmp)/最大功率电压	28.26V	28.26V	28.07V	27.98V
Maximum Power Current (Imp)/最大功率电流	7.06A	6.94A	6.85A	6.75A
Open Circuit Voltage (Voc)/开路电压	35.79V	35.7V	35.6V	35.51V
Short Circuit Current (Isc)/短路电流	7.49A	7.38A	7.3A	7.2A

NOCT: Irradiance 800W/m<sup>2</sup>, ambient temperature 20°C, wind speed 1m/s

额定电池工作温度: 辐照 800W/m<sup>2</sup>, 环境温度 20°C, 风速 1m/s

