



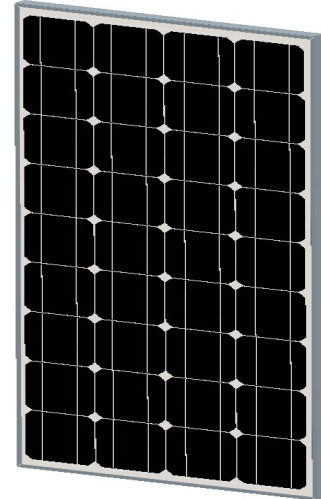
## Monocrystalline Module Models

GP-160M-36 GP-155M-36 GP-150M-36

### Electrical Specifications

\*STC : Irradiance 1000W/m<sup>2</sup>, AM1.5 spectrum, module temperature 25°C

Model type	GP-160M-36	GP-155M-36	GP-150M-36
Peak power (Pmax)	160W	155W	150W
Cell Efficiency	19.16%	18.62%	18.00%
Maximum power voltage (Vmp)	18.9V	18.6V	18.5V
Maximum power current (Imp)	8.47A	8.34A	8.11A
Open circuit voltage (Voc)	22.8V	22.6V	22.5V
Short circuit current (Isc)	9.00A	8.95A	8.71A
Power Tolerance		±3%	
Maximum system voltage		1000V	
Series fuse rating (A)		12	
Number of bypass diode		2	



### Temperature Coefficients

Current Temperature Coefficient $\alpha(I_{sc})$	0.03%/°C
Voltage Temperature Coefficient $\beta(V_{oc})$	-0.32%/°C
Power Temperature Coefficient	-0.42%/°C
Nominal Temperature Of Cells(NOTC)	46±2°C
Application Temperature Range	-40~+85°C

### Mechanical Characteristics

Dimensions :	1482 x 670 x 35mm (58.35x26.38x1.38 inch)
Weight:	11.7kg (25.97 lbs)
Solar Cells:	36 cells in series(4x 9)
Construction:	High-transmission low-iron tempered glass , EVA, TPT
Frame:	Anodized aluminum is mainly for improving corrosion resistance. Color: silver

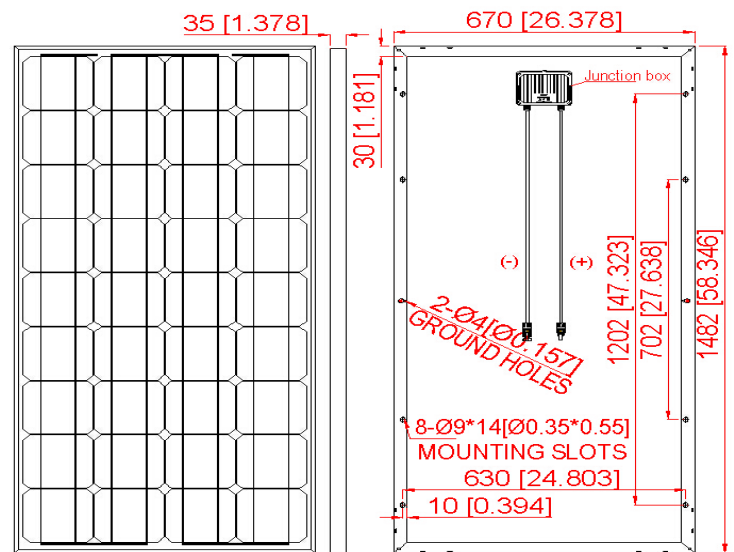
### Output

Cable	LAPP(4 mm <sup>2</sup> )
Lengths	900mm(-) and 900mm(+)
Connector	MC Plug Type IV

### Module Warranty:

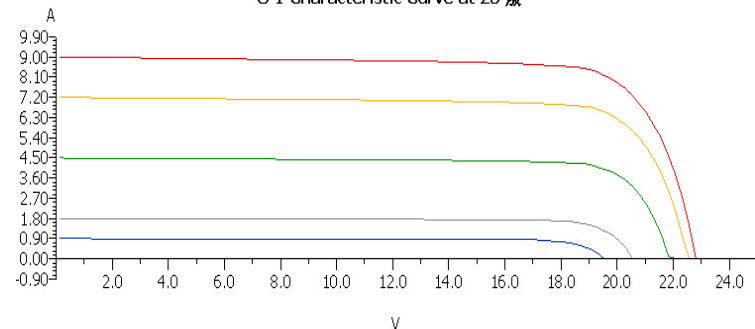
- 25-year limited warranty of 80% power output;
- 10-year limited warranty of 90% power output;
- 5-year limited warranty of materials and workmanship.

**Note:** This publication summarizes product warranty and Specifications which are subject to change without notice



**Module Diagram**

U-I-Characteristic Curve at 25 癈



- U-I-Characteristic Curve 100 W/m
- U-I-Characteristic Curve 200 W/m
- U-I-Characteristic Curve 500 W/m
- U-I-Characteristic Curve 800 W/m
- U-I-Characteristic Curve 1,000 W/m

### Electrical Performance