

AJP-M648 Series 190W-215W Multi-Crystalline Photovoltaic Modules

Electrical Performance @ STC^{*1}

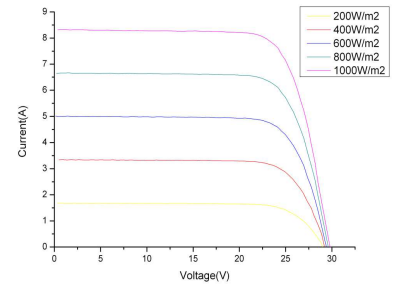
| Maximum Power | Pmax[W] | 190 | 195 | 200 | 205 | 210 | 215 |
|-------------------------------|---------|--------------------------------------|-------|-------|-------|-------|-------|
| Power Tolerance ^{*2} | | +/-3% | +/-3% | +/-3% | +/-3% | +/-3% | +/-3% |
| Solar Cell Type | | Multi-crystalline 6" (156 x 156 mm) | | | | | |
| Number of Solar Cells | | 48 (6 x 8) | | | | | |
| Maximum Power Voltage | Vmp[V] | 23.8 | 24.08 | 24.41 | 24.74 | 25.07 | 25.35 |
| Maximum Power Current | Imp[A] | 7.98 | 8.1 | 8.19 | 8.29 | 8.38 | 8.48 |
| Open Circuit Voltage | Voc[V] | 29.85 | 30.04 | 30.28 | 30.53 | 30.82 | 31.02 |
| Short Circuit Current Isc | Isc[A] | 8.49 | 8.66 | 8.81 | 8.95 | 9.09 | 9.24 |
| Module Efficiency | [%] | 14.5% | 14.9% | 15.3% | 15.7% | 16.0% | 16.4% |

*1 STC: Irradiance level 1000 W/m²; Spectral AM1.5; Temperature 25°C

*2 Power tolerance can be adjusted upon requests

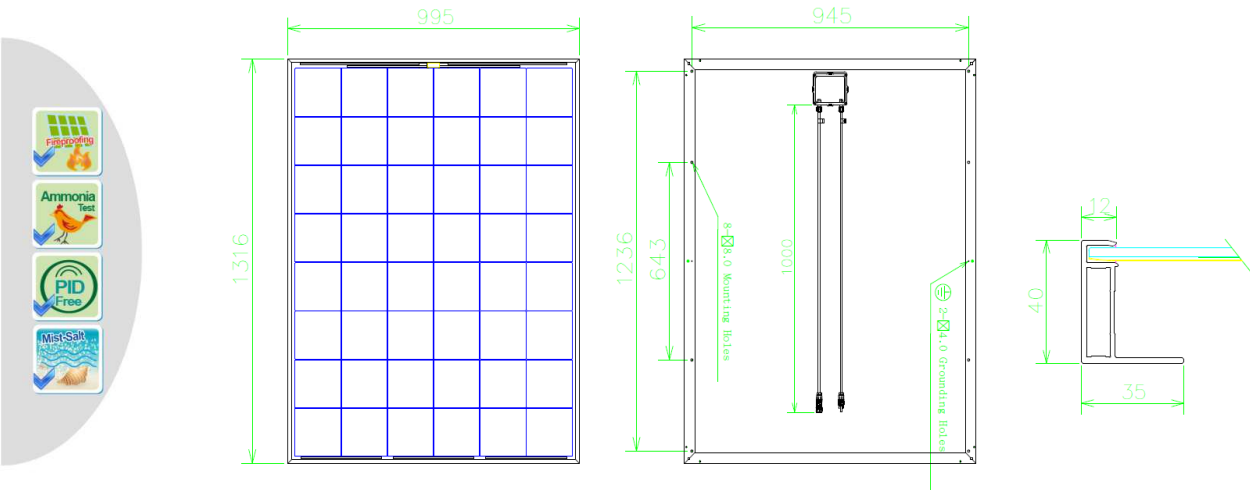
*3 NOCT: 46±2°C

IV Curve



Mechanical Characteristics

| | |
|--|--|
| Dimensions of the Module (W×H×D)(mm) | 1316×995×40 |
| Weight of the Module(kg) | 16.5 |
| Junction box | IP 65 / 67 with 3 bypass diodes ; cables 1M/φ 4mm ² |
| Series fuse rating Inside Junction Box | 15A |



Warranty

Product Warranty:

5 years for material and workmanship

Performance Guarantee:

90% for 10 years Guaranteed output

80% for 25 years Guaranteed output

Working Condition

Maximum System Voltage: 600V, 1000V

Operating Temperature: -40 ~ 85°C

Maximum Static Load: Snow load 5400pa

Wind load 2400pa

Temperature Coefficient

Isc Temperature Coefficient: α (%/°C) +0.08

Voc Temperature Coefficient: β (%/°C) -0.34

Pmax Temperature Coefficient: γ (%/°C) -0.43

Certificate

