

# ZT Series Polycrystalline

Solar Module

260P



## Efficiency

High Module Conversion Efficiencies utilizing three or four bus bars per cell\*

## Warranty

Peace of Mind Guaranteed with a twenty-five Year Linear Power Warranty and Product Quality Ensured for ten years

## Certifications

IEC 61215:2005, IEC 61730:2004, UL 1703-3rd Ed: 2014, ULC/ORD C1703-01:2014, ISO 9001:2008, PSK 024:2008

## Tolerance

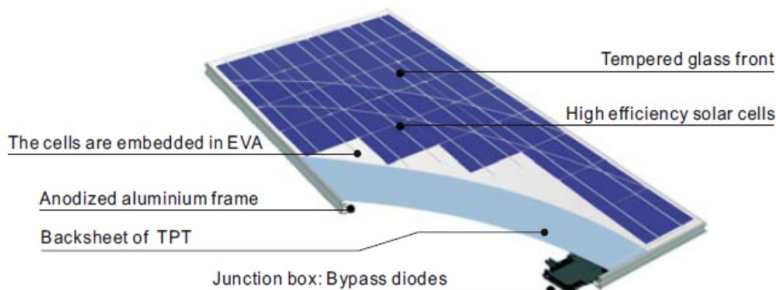
Strict quality control guarantees higher average power output according to positive tolerance  $\pm 3\%$ .

## Optimized Strength

Minimum standard for wind 2700Pa to a Mechanical load capacity up to 5400Pa meet customer's needs for durability on high mountains, sea shores, & paths between buildings



### Module Construction



## EMPOWERING You To Change The Future

Zytech was founded in Zaragoza (Spain) in 2005. Since then the group has progressively increased its infrastructure and production capacity to become a global power with offices and headquarters in Spain, Germany, France, Italy, BENELUX, Mexico, United States of America, Korea, Malaysia and China.

Zytech takes pride in their R&D department which specializes in product enhancement, state-of-the-art machinery and rigorous quality control that guarantees an European quality product at the best price.



[www.zytechsolar.com](http://www.zytechsolar.com)

# ZT Series Polycrystalline

Solar Module



**260P**

Cell Data	
Technology	Polycrystalline Silicon
Number Per Module	60
Dimension	156 × 156mm ( 6 inches )
Orientation	6 × 10

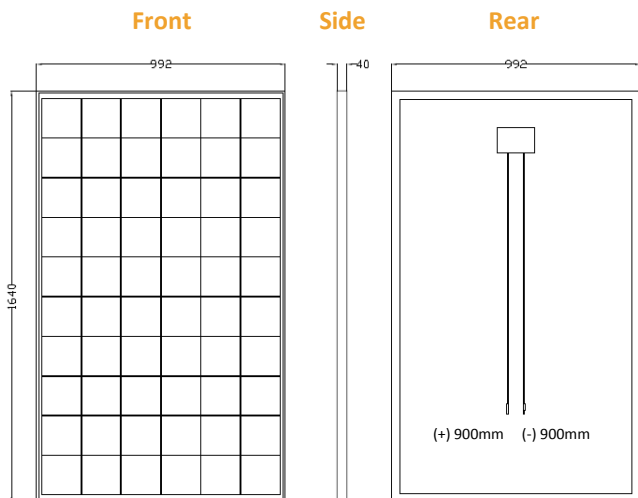
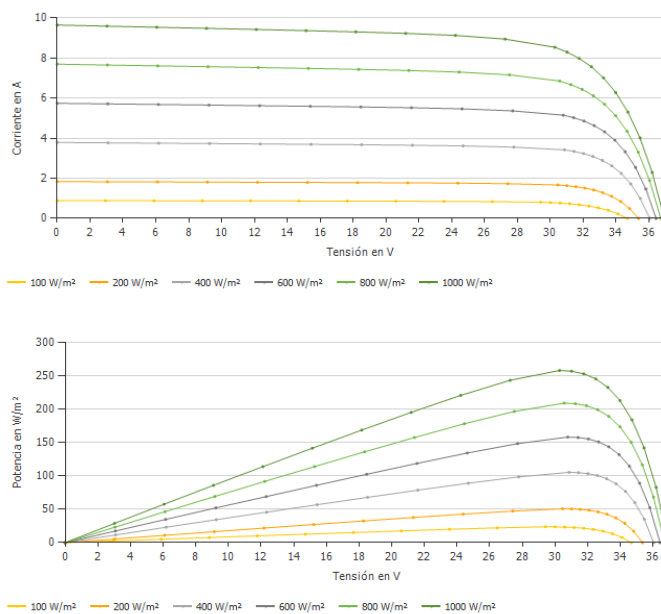
Thermal Data	
Nominal Operating Cell Temperature (NOCT)	45°C ± 2°C
Temperature Coefficient of Voc	- 0.275% / °C
Temperature Coefficient of Isc	+0.023 % / °C
Temperature Coefficient of Power Pmax	- 0.40 % / °C

Electrical Data (STC)		ZT260P
Maximum power (W)	Pmax	260
Power Output Tolerance (%)		±3%
Maximum Power Voltage (V)	Vmpp	30.43
Maximum Power Current (A)	Imp	8.54
Open Circuit Voltage (V)	Voc	37.12
Short Circuit Current (A)	Isc	9.65
Module Efficiency (%)		16.01%

\* At Standard Conditions (STC) Irradiance 1000 watt/m<sup>2</sup>, spectrum AM 1,5 at a cell temperature of 25°C

System Integrated Parameters	
Maximum System Voltage SCII	1000 VDC (UL1000V)
Maximum Reverse Current	Do not apply external voltages larger than Voc to the module
Operating Temperature	-40~+85°C
Max Series Fuse Rating	15A

IU and PU Curve



Physical Characteristics	
Module Dimension (L×W×H)	1640×992×40mm.
Weight	18 kg
Module IP Grade / J-Box	IP67 Module Rated / 3 Bypass Diodes IP67
Connector	MC4 or MC4 Compatible
Glass	3.2mm (0.13 in), High Transmission, AR Coated Tempered Glass
Cable	4 mm <sup>2</sup> PV cable, 900mm
Frame	Silver/ Black Anodized Aluminum Alloy

Packing Configuration	
Modules Per Pallet	26
Pallet Per 40' HQ Container	28 (728 pcs)
Packing Box Dimension (L×W×H)	1700×1150×1040 mm
Packing Orientation	Side

## ZYTECH SOLAR S.L.

P. Industrial Centrovía- C/R. Janeiro, 12  
 50198 La Muela (Zaragoza) SPAIN  
 Tel: +34 976 141819 / Fax: +34 976+141818  
 info@zytech.es  
 www.zytechsolar.es

Zytech Solar reserves the right to change specifications without notice

\*According to cells brand