

POLY

250, 260, 270



Powered by
Tigo
Energy

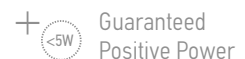
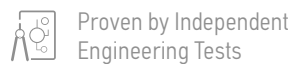
Smart Series

Lower Installation Costs: Design up to 30% longer strings / Design flexibility / Fewer BOS components / Faster installation / Compatible with any inverter

Boost Power Production: Bottleneck effect avoidance / Independent operation of each module

Lower O&M Costs: Fast and Easy O&M / Real-time monitoring & alerting

Safer Installation: Automatic module shut-down and module-level deactivation / Electrocutation prevent and fire safety / NEC 690.12 rapid shutdown compliant



POLY

250, 260, 270

Electrical Characteristics

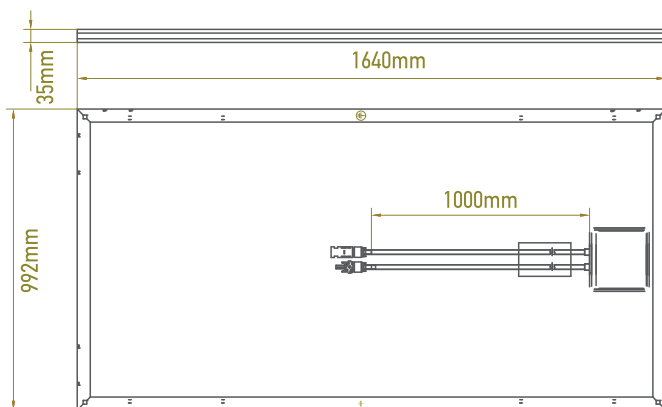
Rated Power:	250W	260W	270W
Power Tolerance :	0%/+5W	0%/+5W	0%/+5W
Maximum Power Voltage (Vmp):	30.39V	30.94V	31.56V
Maximum Power Current (Imp):	8.30A	8.44A	8.59A
Open Circuit Voltage (Voc):	33.40V	33.40V	33.40V
Short Circuit Current (Isc):	9.5A	9.5A	9.5A
Pmax (NOCT):	185.7W	193.95W	197.06W
Module Efficiency	15.4%	16%	16.5%
Maximum Series Fuse:	15A	15A	15A
Maximum System Voltage:	1000V DC(IEC) / 1000V DC(UL)		

Tested at Standard Test Conditions. Measurement tolerances: ± 3%

Mechanical Data

Dimensions	1640mm x 992mm x 35mm
Frame	Anodized aluminum
Weight	19 kgs
Front Glass	3.2 mm AR low iron tempered glass
Output Cables:	TUV (2Pfg1169:2007), UL 4703, UL44 4.0 mm ² (0.006 in ²), symmetrical lengths (-) 1000mm and (+) 1000 mm, MC4 connectors

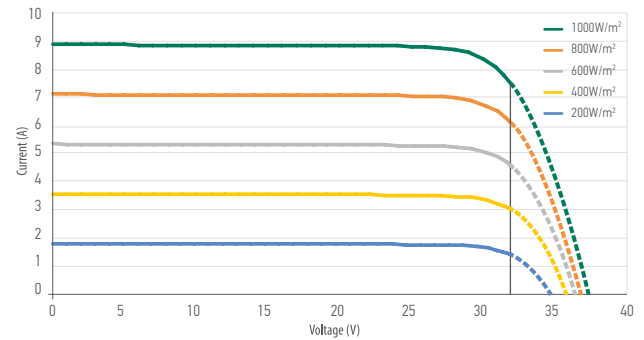
Dimensions



Specifications are subject to change without further notification
Release 2016-02 v2.1

RECOM assumes no liability or responsibility for any typographical errors or layout errors or misinformation or any other errors or omissions contained herein.

I-V Curve



The module relative power loss at low light irradiance of 200W/m² is less than 3%.

Temperature Characteristics

Pmax Temperature Coefficient	-0.39% / °C
Voc Temperature Coefficient	0% / °C
Isc Temperature Coefficient	+0.08% / °C
Operating Temperature	-40~+85 °C
Nominal Operating Cell Temperature (NOCT)	45 ± 2 °C

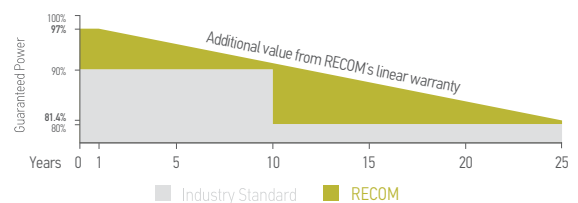
Packing Configuration

Container	20'GP	40'HC
Pieces per Pallet	29	29
Pallets per Container	12	28
Pieces per Container	348	812

Tests, Certifications and Warranties

Standard tests	UL1703, IEC 61215, IEC 61730
Quality tests	ISO 9001: 2008, ISO 14001: 2004, ISO17025: 2005
Certifications	Class C Fire Rating, conformity to CE, PV CYCLE, Salt Mist and Ammonia Corrosion
Extreme wind and snow loads testing	Module certified to withstand extreme wind (2400 Pascal) and snow loads (5400 Pascal)
Positive tolerance	Guaranteed positive tolerance of up to 5W
Junction Box	Tigo TS4 smart J-Box, IP67
Warranties	<ul style="list-style-type: none"> 10-year limited product warranty 25-year transferable linear power output warranty

LINEAR PERFORMANCE WARRANTY



Dealer: