

American Solar⁺

WHOLESALE

"QUALITY YOU CAN COUNT ON"

Poly crystalline

3 Watt Poly Crystalline

Features

- CE Approved for Off Grid Use
- High Module Conversion Efficiency
- Fast and Inexpensive Mounting
- Maximizes System Output by Reducing the Mismatch Loss.
- 100% EL Testing on All ASW Modules, Guaranteed No Hotspot
- Guaranteed Positive Output Tolerance
- Excellent Performance in Low Light Environments



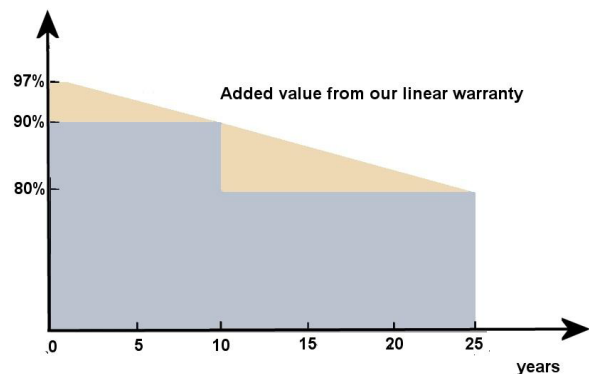
Function

- Off-grid
- RV and Boat
- 6 V System

Precautions

Only qualified personnel should install or perform maintenance.
Please read the American Solar Wholesale Installation Manual before installation. Be aware of dangerous high DC voltage; Do not install modules when wet or broken.

Linear Warranty



All ASW solar modules are guaranteed to perform for 25 years from the date of purchase. Performance standards insure linear production levels starting at 97.5% at the end of the first year and a maximum decrease of only .07% each year thereafter.

- 5 years at 95% or above
- 5 more years at 90% or above
- 15 more years at 80% or above
- 10 year material & workmanship guarantee



Electrical

Maximum Power at STC (Pmax)	3 W
Optimum Operating Voltage (Vmp)	9 V
Optimum Operating Current (Imp)	0.34 A
Open - Circuit Voltage (Voc)	10.8 V
Short - Circuit Current (Isc)	0.39 A
Maximum System Voltage	600 VDC

STC: Irradiance 1000 W/m², module temperature 25°C, AM=1.5

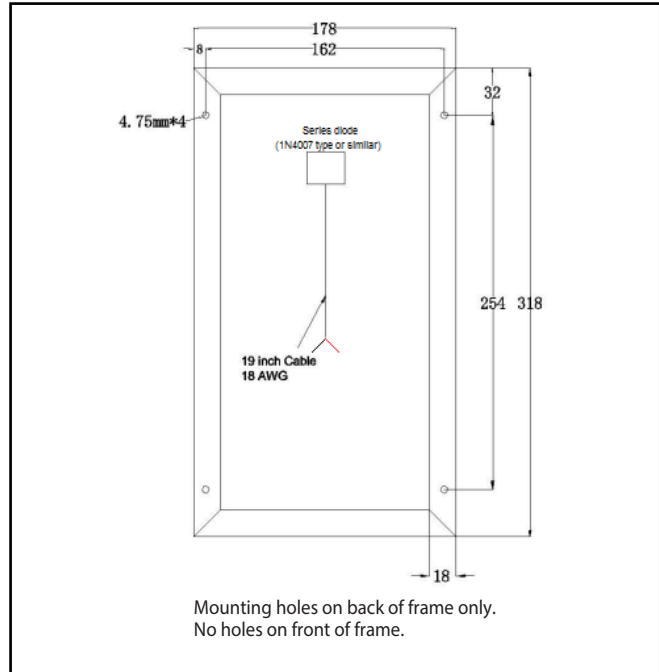
Mechanical

Solar Cell	Polycrystalline
No. of Cells	18 (2 x 9)
Dimensions	318 x 178 x 18 mm
Weight	0.7 kgs (1.5 lbs)
Front Glass	3.2 mm (0.13 inches) tempered glass
Frame	Black Anodized Aluminum Alloy
Output Cables	18AWG 19 Inches(Red and Black) Black wire: Tyco TE 63873-1 or equivalent connector Red wire: Tyco TE 61988-2 or equivalent connector
Fire Rating	Class C

Maximum Ratings

Operating Module Temperature	-40°C to +90°C
Maximum Series Fuse Rating	15 A

Diagram



Temperatures

Nominal Operating Cell Temperature	(NOCT)47±2°C
Temperature Coefficient of Pmax	- 0.44%/°C
Temperature Coefficient of Voc	- 0.30%/°C
Temperature Coefficient of Isc	0.04%/°C

Wiring Diagram

