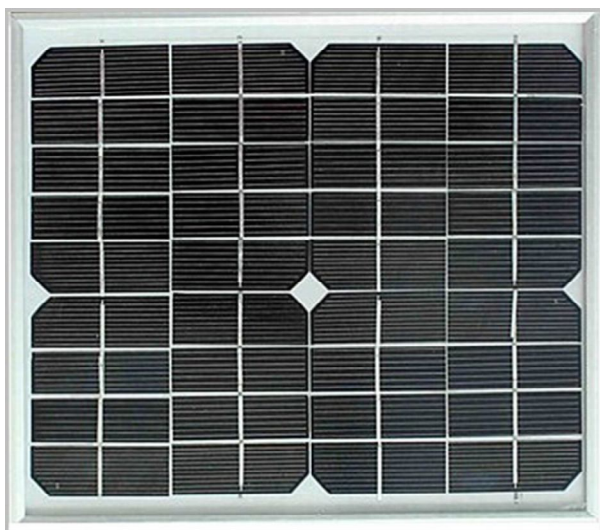




Company

Sunworth solar, we commit ourselves to R&D, manufacture and technical innovation on PV modules and solar power system. To provide high quality products with various specifications for customers is always our pursuit.



Characteristics

- Use high quality solar cells to advanced encapsulation
- Adopt high transparent low-iron tempered glass, high quality anti-UV EVA and back sheet.
- With multi-ply performance testing for each module, to ensure the product quality and output performance.
- Using anodization aluminum frame with anticorrosion, to ensure solar module working under extremely and badly outdoors environment

Warranty

- 20 years power output warranty, 90% power output for 5years, and 80% power output for 20years.
- 3 years workmanship warranty.

Quality and safety

- ISO9001:2008 certified supplier, we provide world first class solar products for clients.
- IEC 61215, IEC 61730, IEC, CQC, CGC, CE, approved.



Electrical Characteristics

Model No.	SW030M	SW035M	SW040M	SW045M
Maximum Power (Pmax)	30W	35W	40W	45W
Max-power Voltage (Vmp)	18.6V	18.6V	18.6V	18.6V
Max-power Current (Imp)	1.61A	1.88A	2.15A	2.42A
Open-circuit Voltage (Voc)	22.5V	22.5V	22.5V	22.5V
Short-circuit Current (Isc)	1.74A	2.05A	2.33A	2.64A
Module Efficiency	14.0%	14.7%	15.1%	14.8%
Operating Temperature	-40°C~+85°C			
Maximum System Voltage	600Vdc			
Maximum Series Fuse Rating	10A			
Power tolerance	±3%			

*STC condition: 1000 W/m²,1.5AM and 25°C cell temperature.



Temperature characteristics

NOCT	46°C±2°C
Temperature Co-efficient of Pmax	-0.42%/°C
Temperature Co-efficient of Voc	-0.35%/°C
Temperature Co-efficient of Isc	0.05%/°C

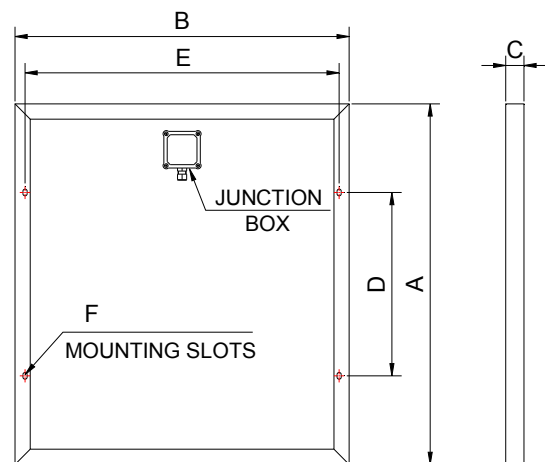
Mechanical characteristics

Model No.	SW030M	SW035M	SW040M	SW045M
Cell Type	Monocrystalline silicon 156mm cutting			
Cell Arrangement	36(2*18)	36(2*18)	36(2*18)	36(4*9)
Dimensions	630*340*18mm	700*340*20mm	780*340*20mm	660*460*20mm
Weight	2.4Kg	2.6Kg	2.9Kg	3.2Kg
Front Cover	3.2mm tempered glass			
Junction Box	IP65 rated			
Output Cables	Optional			
Connectors	Optional			

Dimensions

Unit: mm

Model No.	SW030M	SW035M	SW040M	SW045M
A	630	700	780	460
B	340	340	340	660
C	18	20	20	20
D	350	380	450	200
E	316	314	314	634
F	4-ø6	4-ø6*9	4-ø6*9	4-ø6*9



Packing

Model No.	SW030M	SW035M	SW040M	SW045M
Packing method	Carton & Pallet	Carton & Pallet	Carton & Pallet	Carton & Pallet
20'GP (Ref.)	3600	3000	2800	2520
40'GP (Ref.)	7500	6600	5600	5544

SUNWORTH SOLAR ENERGY CO., LTD

TEL: +86-769-2332 0882

Website: www.sun-worth.comE-mail: sales@sun-worth.com