



### Company

Sunworth solar, we commit ourselves to R&D, manufacture and technical innovation on PV modules and solar power system. To provide high quality products with various specifications for customers is always our pursuit.



### Characteristics

- Use high quality solar cells to advanced encapsulation
- Adopt high transparent low-iron tempered glass, high quality anti-UV EVA and back sheet.
- With multi-ply performance testing for each module, to ensure the product quality and output performance.
- Using anodization aluminum frame with anticorrosion, to ensure solar module working under extremely and badly outdoors environment

### Warranty

- 20 years power output warranty, 90% power output for 5years, and 80% power output for 20years.
- 3 years workmanship warranty.

### Quality and safety

- ISO9001:2008 certified supplier, we provide world first class solar products for clients.
- IEC 61215, IEC 61730, IEC, CQC, CGC, CE, approved.



### Electrical Characteristics

Model No.	SW060M	SW065M	SW070M
Maximum Power (Pmax)	60W	65W	70W
Max-power Voltage (Vmp)	18.6V	18.6V	18.6V
Max-power Current (Imp)	3.23A	3.49A	3.76A
Open-circuit Voltage (Voc)	22.5V	22.5V	22.5V
Short-circuit Current (Isc)	3.51A	3.79A	4.10A
Module Efficiency	15.2%	15.3%	15.3%
Operating Temperature	-40°C~+85°C		
Maximum System Voltage	600Vdc		
Maximum Series Fuse Rating	10A		
Power tolerance	±3%		

\*STC condition: 1000 W/m<sup>2</sup>,1.5AM and 25°C cell temperature.



### Temperature characteristics

NOCT	46°C±2°C
Temperature Co-efficient of Pmax	-0.42%/°C
Temperature Co-efficient of Voc	-0.35%/°C
Temperature Co-efficient of Isc	0.05%/°C

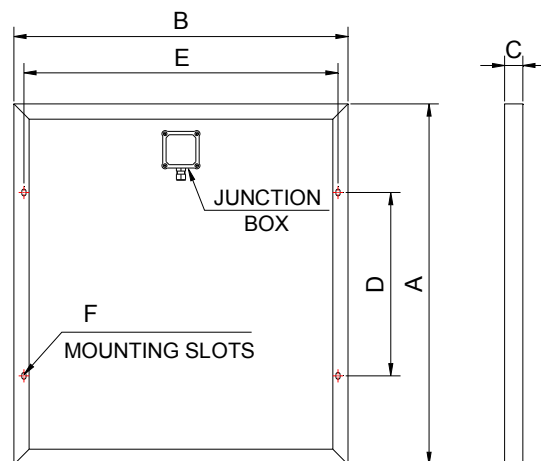
### Mechanical characteristics

Model No.	SW060M	SW065M	SW070M
Cell Type	Monocrystalline silicon 156mm cutting		
Cell Arrangement	36(4*9)	36(4*9)	36(4*9)
Dimensions	660*600*20mm	660*645*25mm	695*660*25mm
Weight	4.1Kg	4.6Kg	5.1Kg
Front Cover	3.2mm tempered glass		
Frame Material	Anodized aluminium alloy		
Junction Box	IP65 rated		
Output Cables	Optional		
Connectors	Optional		

### Dimensions

Unit: mm

Model No.	SW060M	SW065M	SW070M
<b>A</b>	600	645	695
<b>B</b>	660	660	660
<b>C</b>	20	25	25
<b>D</b>	300	310	360
<b>E</b>	634	634	627
<b>F</b>	4-ø6*9	4-ø6*9	4-ø7*11



### Packing

Model No.	SW060M	SW065M	SW070M
Packing method	Carton & Pallet	Carton & Pallet	Carton & Pallet
20'GP (Ref.)	2016	1632	1632
40'GP (Ref.)	4536	3400	3264

### SUNWORTH SOLAR ENERGY CO., LTD

TEL: +86-769-2332 0882

Website: www.sun-worth.com

E-mail: sales@sun-worth.com