

ZT Series Polycrystalline

Solar Module

300P/305P/310P



Efficiency

High Module Conversion Efficiencies utilizing three bus bars per cell

Warranty

Peace of Mind Guaranteed with a twenty-five Year Linear Power Warranty and Product Quality Ensured for ten years

Certifications

IEC 61215:2005, IEC 61730:2004, UL 1703-3rd Ed: 2014, ULC/ORD C1703-01:2014, ISO 9001:2008, PSK 024:2008

Tolerance

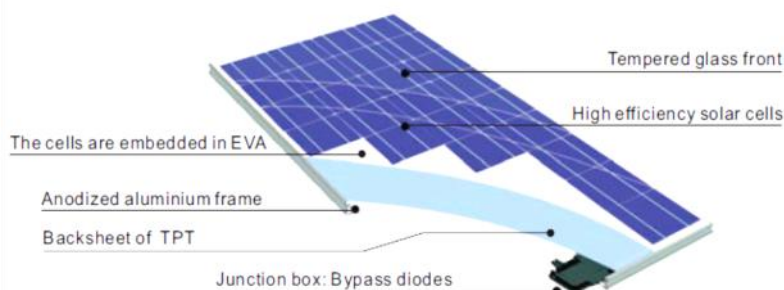
Strict quality control guarantees higher average power output according to tolerance
0% to +3% of maximum power

Optimized Strength

Minimum standard for wind 2400Pa to a Mechanical load capacity up to 5400Pa meet customer's needs for durability on high mountains, sea shores, & paths between buildings



Module Construction



EMPOWERING You
To Change The Future

Zytech was founded in Zaragoza (Spain) in 2005. Since then the group has progressively increased its infrastructure and production capacity to become a global power with offices and headquarters in Spain, Germany, France, Italy, BENELUX, Mexico, United States of America, Korea, Malaysia and China.

Zytech takes pride in their R&D department which specializes in product enhancement, state-of-the-art machinery and rigorous quality control that guarantees an European quality product at the best price.



www.zytechsolar.com

ZT Series Polycrystalline

Solar Module



300P/305P/310P

Cell Data

Technology	Polycrystalline Silicon
Number Per Module	72
Dimension	156 ×
Orientation	6 × 12

Thermal Data

Nominal Operating Cell Temperature (NOCT)	45°C ± 2°C
Temperature Coefficient of Voc	-0.275% / °C
Temperature Coefficient of Isc	+0.023% / °C
Temperature Coefficient of Power Pmax	-0.40% / °C

Electrical Data (STC)

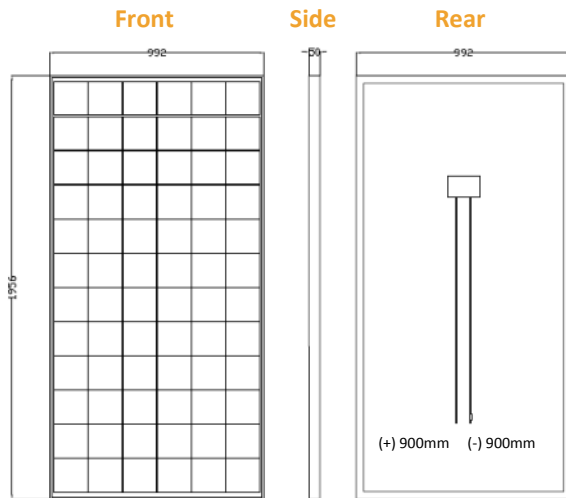
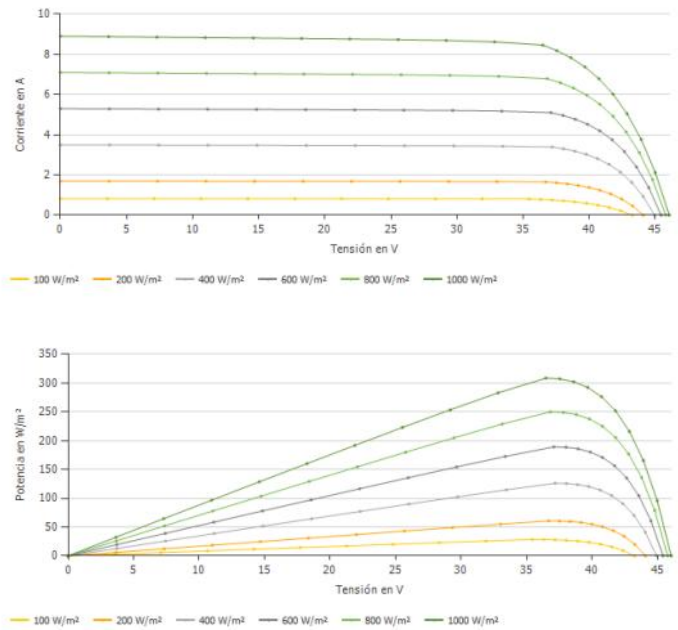
		ZT300P	ZT305P	ZT310P
Maximum power (W)	Pmax	300	305	310
Power Output Tolerance (%)		-3% to +3%		
Maximum Power Voltage (V)	Vmpp	36.19	36.36	36.49
Maximum Power Current (A)	Imp	8.29	8.39	8.49
Open Circuit Voltage (V)	Voc	45.67	45.81	45.98
Short Circuit Current (A)	Isc	8.74	8.81	8.92
Cell Efficiency (%)		17.60%	17.90%	18.20%

* At Standard Conditions (STC) Irradiance 1000 watt/m², spectrum AM 1,5 at a cell temperature of 25°C

System Integrated Parameters

Maximum System Voltage SCII	1000 VDC (UL1000V)
Maximum Reverse Current	Do not apply external voltages larger than Voc to the module
Operating Temperature	-40~+85°C
Max Series Fuse Rating	15A

IU and PU Curve



Physical Characteristics

Module Dimension (L×W×H)	1956×992×50mm
Weight	23 kg
J-Box	IP67 rated, 6 diodes
Connector	MC4 or MC4 Compatible IP67
Glass	3.2mm, High Transmission, AR Coated Tempered Glass
Cable	4 mm ² PV cable, 1000mm
Frame	Silver/ Black Anodized Aluminum Alloy

Packing Configuration

Modules Per Pallet	26
Pallet Per 40' HQ Container	22 (572 pcs)
Packing Box Dimension (L×W×H)	2000×1150×1040 mm (78.74×45.28×40.94 in)
Packing Orientation	Side

ZYTECH

P. Industrial Centrovía- C/R. Janeiro, 12
50198 La Muela (Zaragoza) SPAIN
Tel: +34 976 141819 / Fax: +34 976+141818
info@zytech.es
www.zytechsolar.es

Zytech Solar reserves the right to change specifications without notice
*Dimension tolerance: ±5mm per each side