

265-275<sub>W</sub>



### MANAGEMENT SYSTEM

**ISO 9001:** Quality management system

**ISO 14001:** Standard for environmental management system

**OHSAS 18001:** International standard for occupational health and safety assessment system

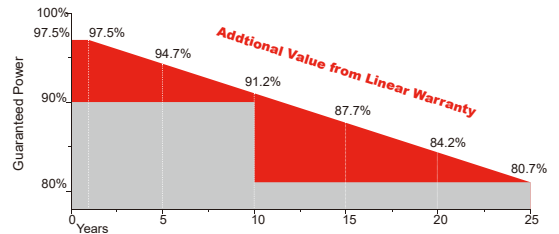
### PRODUCT CERTIFICATES



### INSURANCE



### WARRANTY



Guarantee on product material and workmanship



linear power output warranty

## Safety



Withstand and applicable up to 1500V high system voltage



Tested and certified according to newest IEC standard IEC61730-1:2016 IEC61730-2:2016



Class C fire safety class

## Reliability



Tested and certified according to newest IEC standard IEC61215:2016



World 1st company to pass "Thresher Test" and "On-site Power Measurement Validation" certificate



Bankable products

## Performance



Outstanding power output capability at low irradiance



Triple 100% Electroluminescence (EL) tests minimize breakage rate



Top rank in Photon yield measurement

# SRP-6PB-HV SERIES 6 INCH 60 CELLS



\*BLACK FRAME / BLACK BACK-SHEET PRODUCTS ARE AVAILABLE UPON REQUEST.

## Electrical Characteristics(STC)

Module Type	SRP-265-6PB-HV	SRP-270-6PB-HV	SRP-275-6PB-HV
Maximum Power at STC - $P_{mp}$ (W)	265	270	275
Open Circuit Voltage - $V_{oc}$ (V)	38.3	38.5	38.8
Short Circuit Current - $I_{sc}$ (A)	8.83	8.94	9.02
Maximum Power Voltage - $V_{mp}$ (V)	31.1	31.3	31.6
Maximum Power Current - $I_{mp}$ (A)	8.53	8.63	8.71
Module Efficiency STC- $\eta_m$ (%)	16.19	16.50	16.80

STC: Irradiance 1000 W/m<sup>2</sup> module temperature 25°C AM=1.5  
Power measurement tolerance: +/-3%

## Electrical Characteristics(NOCT)

Module Type	SRP-265-6PB-HV	SRP-270-6PB-HV	SRP-275-6PB-HV
Maximum Power at NOCT - $P_{mp}$ (W)	196	200	203
Open Circuit Voltage - $V_{oc}$ (V)	35.3	35.5	35.7
Short Circuit Current - $I_{sc}$ (A)	7.14	7.22	7.29
Maximum Power Voltage - $V_{mp}$ (V)	29.1	29.3	29.5
Maximum Power Current - $I_{mp}$ (A)	6.74	6.83	6.88

NOCT: Irradiance 800 W/m<sup>2</sup> ambient temperature 20°C wind speed :1m/s  
Power measurement tolerance: +/-3%

Power Tolerance (W)	(0,+4.99)
Maximum System Voltage (V)	1500 (TÜV)
Maximum Series Fuse Rating (A)	15

## Temperature Characteristics

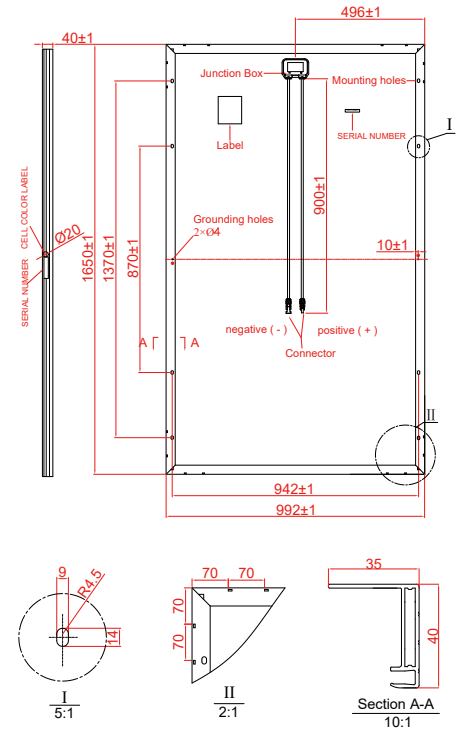
Pmax Temperature Coefficient	-0.41 %/°C
Voc Temperature Coefficient	-0.32 %/°C
Isc Temperature Coefficient	+0.05 %/°C
Operating Temperature	-40~+85 °C
Nominal Operating Cell Temperature (NOCT)	45±2 °C

## Packing Configuration

	1650 x 992 x 40mm	
Container	20'GP	40'GP
Pieces per Pallet	26	26
Pallets per Container	12	28
Pieces per Container	312	728

## Mechanical Specifications

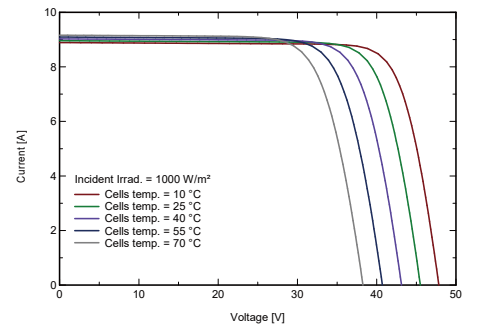
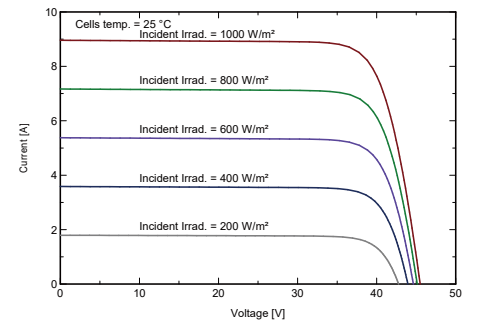
External Dimensions	1650x 992 x 40 mm
Weight	19.0 kg
Solar Cells	Poly crystalline 156.75 x 156.75 mm (60pcs)
Front Glass	3.2 mm tempered glass, low iron
Frame	Anodized aluminium alloy
Junction Box	IP67
Output Cables	4.0 mm <sup>2</sup> , cable length: 900 mm
Connector	MC4 Compatible
Mechanical Load	5400 Pa



\* All Dimensions in mm

\* The above drawing is a graphical representation of the product.  
For engineering quality drawings please contact SERAPHIM.

## I-V Curve (SRP-265-6PB-HV)



Specifications are subject to change without further notification SRP-DS-EN-2017V1.0 © Copyright 2017 Seraphim