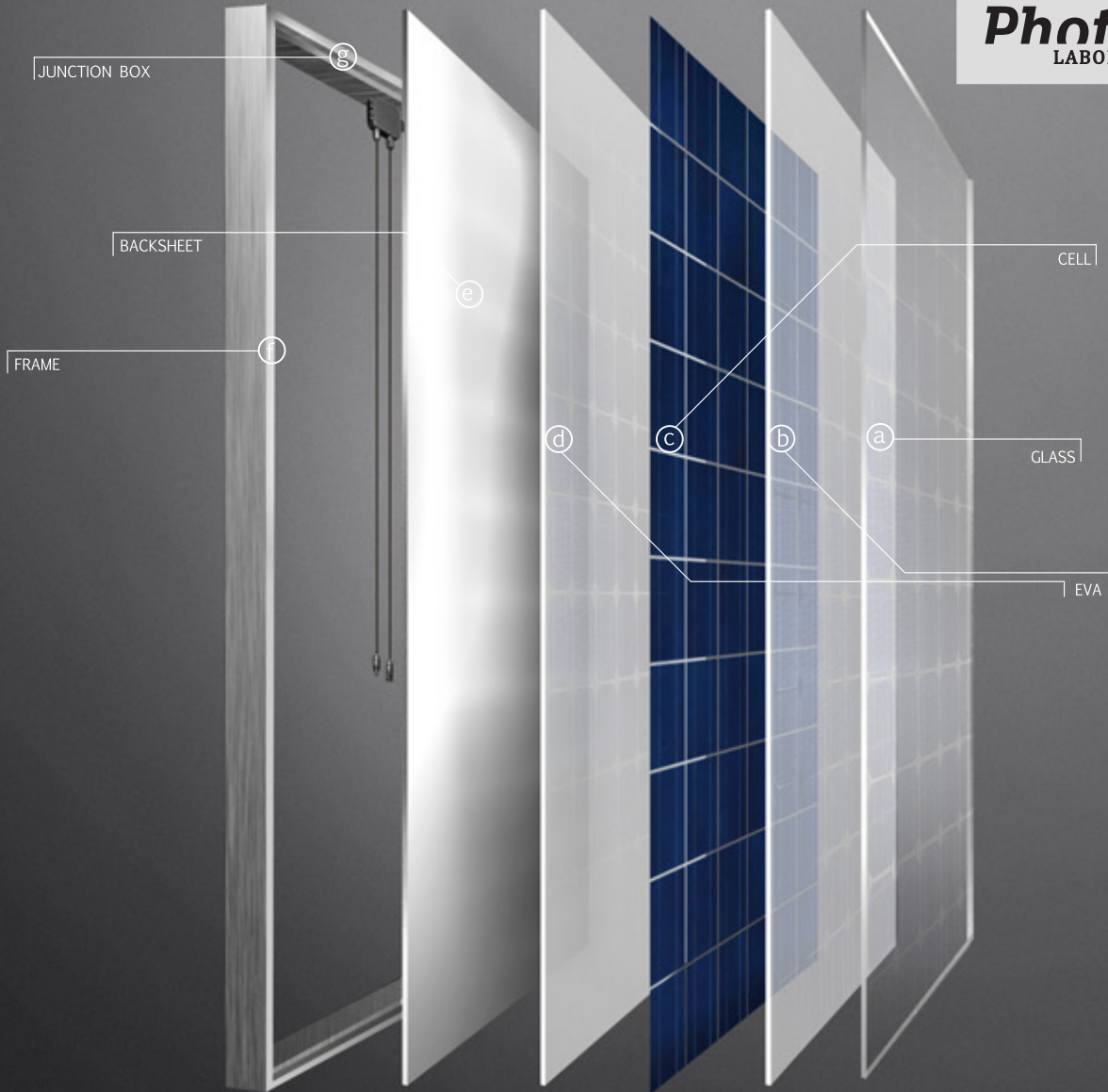


**PRODUCT ADVANTAGES**

**DuraFlex™**  
**Bankable**  
**Photon**  
LABORATORY



**WHAT.....**

**ⓐ GLASS**

- High light transmission giving more electricity.
- Anti-Reflection glass optional
- Excellent mechanical loading performance (5400 Pascal)
- SPF-U1 certified

**ⓑ BACKSHEET**

- TEDLAR based encapsulation and protection
- Excellent adhesion and ultraviolet stability
- TUV/UL certified
- White/Black/Transparent optional

**ⓒ JUNCTION BOX**

- Reliable by-pass diodes assuring good product protection
- Locking connector working compatible worldwide
- Excellent heat emission performance
- IP65 or IP67 protection
- Fire test passed
- TUV/UL certified

**ⓓ EVA**

- High light transmission assuring better power performance
- High GEL and peeling strength guarantying strong encapsulation
- Good Ultraviolet aging resistance
- TUV/UL certified

**ⓔ FRAME**

- Anodized/ Electrochromic aluminum means durable protection from environment
- Unique designed profile ensuring strong mechanical loading performance
- Silver/Black color available

**ⓕ CELL**

- Excellent efficiency and long term reliability
- Good performance under high temperature and low irradiance conditions
- 100% In-line Electroluminescence (EL) tested
- Positive tolerance for each panel
- TUV certified

**WHY.....**

**ⓐ Anti-reflective coating glass**

- Nanometer technology
- Increase light transmission by up to 2% in normal irradiance
- Energy output increased up to 4% in the module efficiency
- Perfect coating uniformity
- Coating lifetime over 25 years
- Easy cleaning

**ⓑ Full black series products**

- 3M/FUJIFILM powered product
- Good aging resistance guarantying strong durability
- Excellent Yellowness resistance
- Various selection for different application

**ⓒ Long-lasting performance**

- excellent durability and aging resistance performance for 25 years
- high encapsulation performance
- Yellowness resistance

**ⓓ Junction Box**

- Excellent PPE material from Japan
- Top Polyamide 66 material
- Excellent industry design

**ⓔ Extraordinary performance**

- Salt mist and Ammonia corrosion resistant
- Regular and DURAFLEX optional
- Unique design to achieve 8000pa loading
- Easy installation and wide adaptation to current mounting system

**ⓕ High quality cell**

- Guarantee a better performance in weak light.
- 3-busbar cell technology reduces the series resistance and helps to boost the power output in the module
- Good PID performance

# VPS MODULE

## 200W

### 6PE SERIES

#### 180W~200W

High Performance  
Solar Modules

DuraFlex™



## WARRANTY

- ✓ Positive tolerance guarantee for each panel
- ✓ 10 years guarantee on product material
- ✓ 12 years guarantee on 90% minimum output
- ✓ 25 years guarantee on 80% minimum output
- ✓ Product liability insurance with CHUBB Group
- ✓ Product performance (E&O) insurance CHUBB Group

**10 years**

guarantee on  
product material

**12 years**

**90%**

12 years guarantee on  
90% minimum output

**25 years**

**80%**

25 years guarantee on  
80% minimum output



**Photon**  
LABORATORY

### Electrical Characteristics

	SRP-185-6PE	SRP-190-6PE	SRP-195-6PE	SRP-200-6PE	Unit
Rated Power at STC (Pmp)	185	190	195	200	W
Power Tolerance	(0,+4.99)	(0,+4.99)	(0,+4.99)	(0,+4.99)	W
Power Maximum at STC	189.99	194.99	199.99	204.99	W
Cell Efficiency ( $\eta_c$ )	16.5~16.8	16.8~17.2	17.3~17.7	17.7~18.1	%
Module Efficiency ( $\eta_m$ )	14.1~14.5	14.5~14.9	14.9~15.3	15.3~15.6	%
Open Circuit Voltage (Voc)	29.4	29.5	29.6	29.7	V
Short Circuit Current (Isc)	8.33	8.50	8.70	8.89	A
Maximum Power Voltage (Vmp)	23.7	23.9	23.9	24.0	V
Maximum Power Current (Imp)	7.80	7.96	8.15	8.32	A
Maximum System Voltage	1000 (TUV), 600 (UL)				V
Maximum Series Fuse Rating	15				A

STC: Irradiance 1000 W/m<sup>2</sup>, module temperature 25°C, AM=1.5;  
Power measurement tolerance: +/-3%

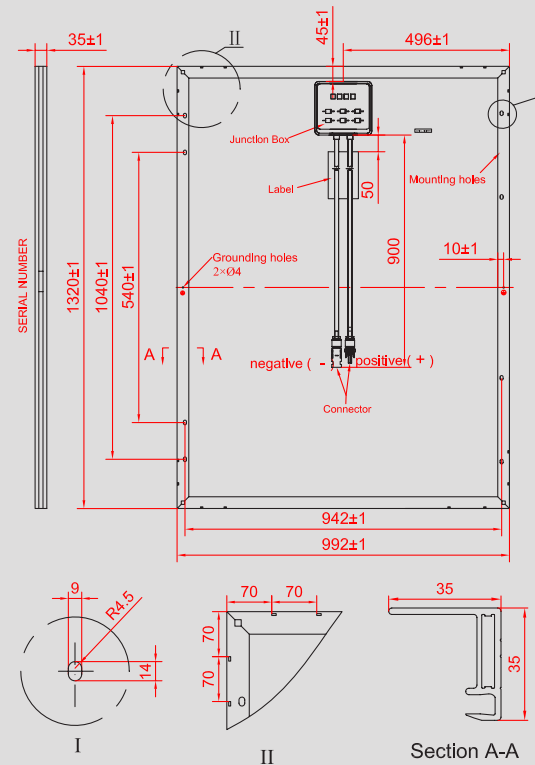
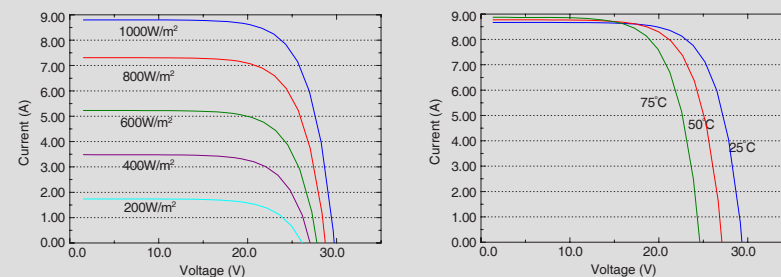
### Temperature Characteristics

Pmax Temperature Coefficient	-0.47 %/°C
Voc Temperature Coefficient	-0.32 %/°C
Isc Temperature Coefficient	+0.04 %/°C
Operating Temperature	-40~+85 °C
Nominal Operating Cell Temperature (NOCT)	45±2 °C

### Packing Configuration

Container	20'GP	40'GP	40'HC
Pieces per pallet	30	30	21
Pallets per container	16	32	2
Pieces per container	480	1002	N.A

### Current-Voltage & Power-Voltage Curve (SRP-200-6PE)



\* All Dimensions in mm  
\* The above drawing is a graphical representation of the product.

### Mechanical Specifications

External Dimensions	1320 x 992 x 35 mm
Weight	15.5 kg
Solar Cells	Polycrystalline 156 x 156mm (48pcs)
Front glass	3.2 mm tempered glass, low iron
Frame	Anodized/ Electrophoretic aluminum alloy
Junction Box	IP65/IP67
Output Cables	4.0 mm <sup>2</sup> , symmetrical lengths 900mm
Connector	MC4 Compatible
Maximum Snow Load	550kg/m <sup>2</sup>
Maximum Wind Load	200km/h

## BEFORE & AFTER SERVICE

Before & After Service: Service is a continuation of sales progress. VMC is a professional provider of solar energy solutions, making progress in R&D, production, sales & after sales and striving to provide qualified products as well as professional service from enquiry to after sales:

- ✓ Regular sampling test by Photon Testing Laboratory to proven product performance and reliability
- ✓ Skilled engineers for technology consultation
- ✓ Tailored solution proposal design and project conduction
- ✓ Advanced ERP system allows customers to view the whole production procedure
- ✓ Local office for most efficiency support and online service system for customers

VMC POWER SOLUTION PTE LTD  
<http://www.vmcpowersolution.com>

TEL: 65-67412080  
E-MAIL: [vick@vmc.com.sg](mailto:vick@vmc.com.sg)

**SHIFT FOR THE BETTER™**