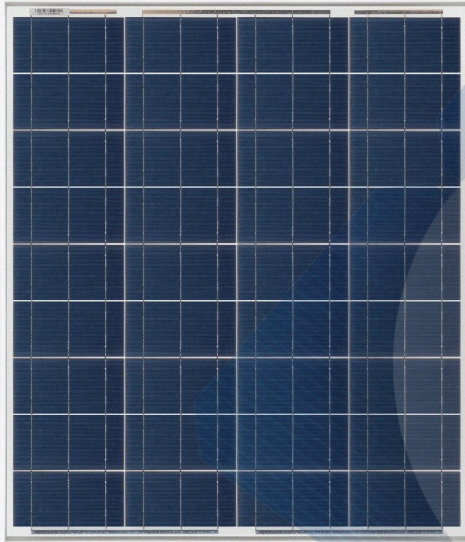


**Model (SL70TU-18P) Specifications**

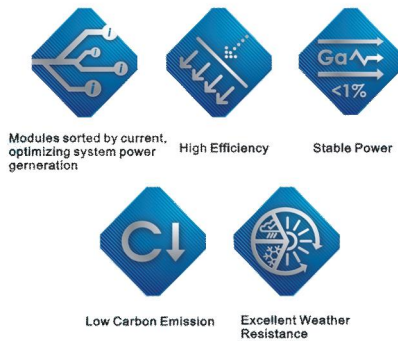


**Electrical Data**

Maximum Power(W)	70W
Optimum Power Voltage(Vmp)	18.50V
Optimum Operating Current(Imp)	3.78A
Open Circuit Voltage(Voc)	22.14 V
Short Circuit Current(Isc)	4.05A
Cell Efficiency	16.30%
Module Efficiency	13.61%
Tolerance Wattage	0 +3%
NOCT	45°C +/-2°C

**Benefits**

- ❑ High efficiency solar cells with high transmission and textured glass are delivering high efficiency for modules;
- ❑ Bypass diode minimizes the power drop caused by shade;
- ❑ Tempered glass, EVA resin, and weatherproof film, plus aluminum frame for extended outdoor use;
- ❑ Modules independently tested to ensure conformance with certification and regulatory standards;
- ❑ Manufacturing facility certified to ISO 9001 quality management system standards.



**Applications**

- ❑ On-grid residential roof-tops
- ❑ On-grid commercial/industrial roof-tops
- ❑ Solar power stations
- ❑ Other on-grid applications

**Temperature Coefficients**

Temperature Coefficients of Isc(%)	+0.04
Temperature Coefficients of Voc(%)	-0.38
Temperature Coefficients of Pm(%)	-0.47
Temperature Coefficients of Im(%)	+0.04
Temperature Coefficients of Vm(%)	-0.38





IGNITE THE POWER OF NATURE

Polycrystalline Module  
--small size 70Watt

Components & Mechanical

Solar Cell	156*78 Poly
Number of Cell(pcs)	4*9
Size of Module(mm)	770*668*35
Front Glass Thickness(mm)	3.2
Surface Maximum Load Capacity	2400-5400Pa
Allowable Hail Load	23m/s ,7.53g
Weight Per Piece(KG)	6.1
Bypass Diode Rating(A)	10
Frame(Material Corners,etc.)	35#
Temperature Range	-40°C to +85°C
FF (%)	70-78%
Standard Test Conditions	AM1.5 1000W/m <sup>2</sup> 25°C

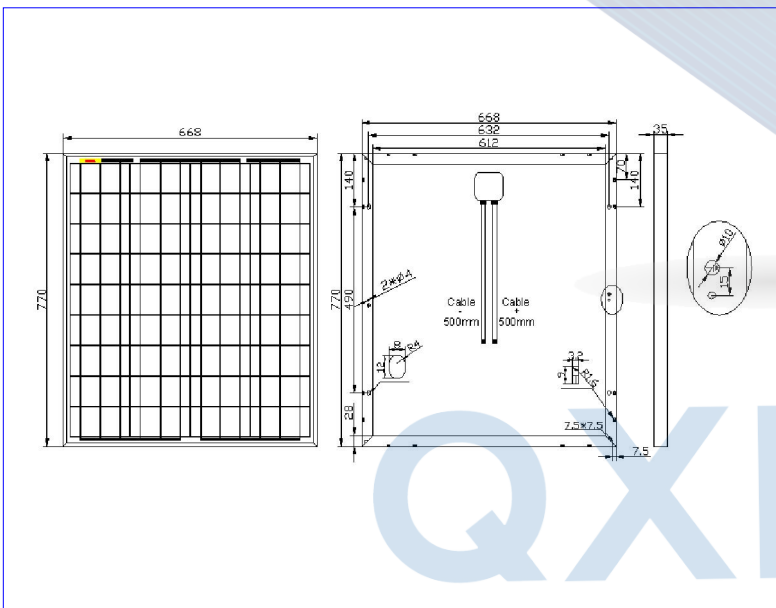
Packing

Packing	Wooden Box
Pieces per container	60pcs/Pallets

Project Picture



Engineering Drawings



©2016 Ningbo Qixin Solar Electrical Appliance Co., Ltd. All rights reserved.  
Specifications included in this datasheet are subject to change without notice.

**Ningbo Qixin Solar Electrical Appliance Co., Ltd**  
ADD: No. 37 Jingang Road, Binhai Industrial Park,  
Xiangshan County, Ningbo, 315700, China  
WEB: <http://www.nbqxsolar.com>  
TEL: 0086-(0)574-25758823  
FAX: 0086-(0)574-25758824  
E-mail: [sales@nbqxsolar.com](mailto:sales@nbqxsolar.com)

