

Model (SL90TU-18MD) Specifications

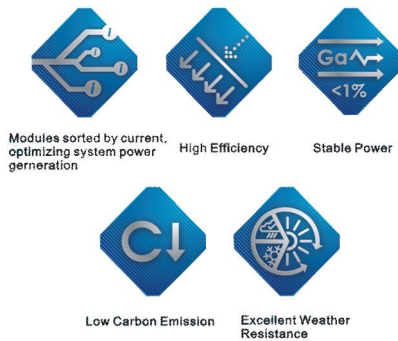


Electrical Data

Maximum Power(W)	90W
Optimum Power Voltage(Vmp)	17.69V
Optimum Operating Current(Imp)	5.09A
Open Circuit Voltage(Voc)	22.54V
Short Circuit Current(Isc)	5.44A
Cell Efficiency	16.09%
Module Efficiency	13.41%
Tolerance Wattage	0 +3%
NOCT	45°C +/-2°C

Benefits

- ❑ High efficiency solar cells with high transmission and textured glass are delivering high efficiency for modules;
- ❑ Bypass diode minimizes the power drop caused by shade;
- ❑ Tempered glass, EVA resin, and weatherproof film, plus aluminum frame for extended outdoor use;
- ❑ Modules independently tested to ensure conformance with certification and regulatory standards;
- ❑ Manufacturing facility certified to ISO 9001 quality management system standards.



Applications

- ❑ On-grid residential roof-tops
- ❑ On-grid commercial/industrial roof-tops
- ❑ Solar power stations
- ❑ Other on-grid applications

Temperature Coefficients

Temperature Coefficients of Isc(%)	+0.04
Temperature Coefficients of Voc(%)	-0.38
Temperature Coefficients of Pm(%)	-0.47
Temperature Coefficients of Im(%)	+0.04
Temperature Coefficients of Vm(%)	-0.38



IGNITE THE POWER OF NATURE

Monocrystalline Module
--small size 90Watt

Components & Mechanical

Solar Cell	156*104 Mono
Number of Cell(pcs)	4*9
Size of Module(mm)	1005*668*35
Front Glass Thikness(mm)	3.2
Surface Maximum Load Capacity	2400-5400Pa
Allowable Hail Load	23m/s ,7.53g
Weight Per Piece(KG)	8.0
Bypass Diode Rating(A)	10
Frame(Material Corners,etc.)	35#
Temperature Range	-40°C to +85°C
FF (%)	70-78%
Standard Test Conditions	AM1.5 1000W/m ² 25°C

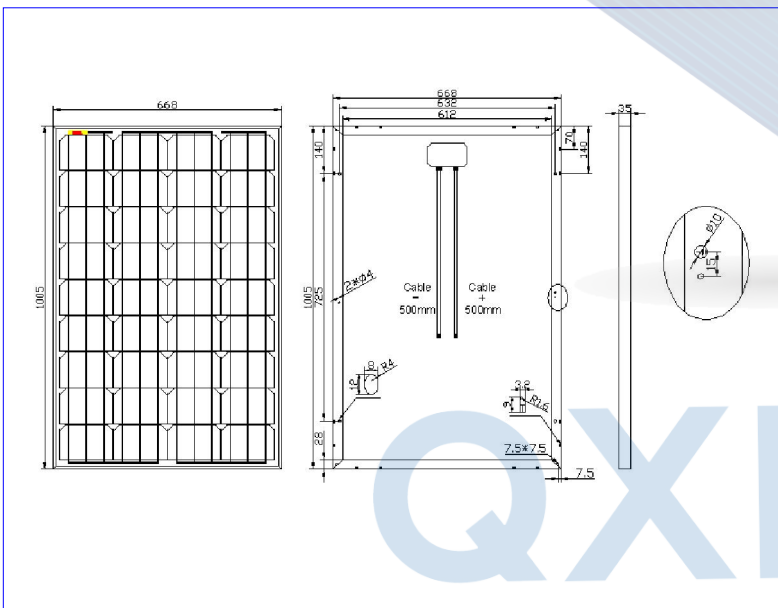
Packing

Packing	Wooden Box
Pieces per container	30pcs/Pallets

Project Picture



Engineering Drawings



©2016 Ningbo Qixin Solar Electrical Appliance Co., Ltd. All rights reserved.
Specifications included in this datasheet are subject to change without notice.



Ningbo Qixin Solar Electrical Appliance Co., Ltd

ADD: No. 37 Jingang Road, Binhai Industrial Park,
Xiangshan County, Ningbo, 315700, China

WEB: <http://www.nbqxsolar.com>

TEL: 0086-(0)574-25758823

FAX: 0086-(0)574-25758824

E-mail: sales@nbqxsolar.com