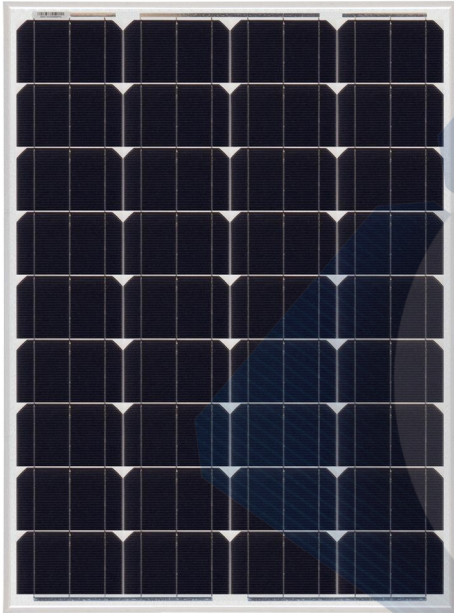


Model (SL80TU-18MD) Specifications

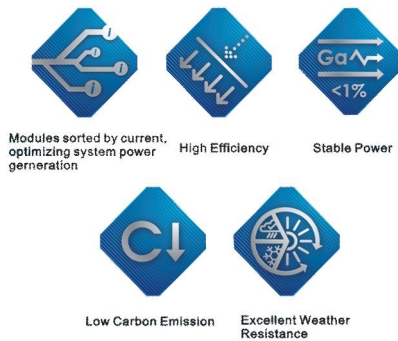


Electrical Data

| | |
|--------------------------------|-------------|
| Maximum Power(W) | 80W |
| Optimum Power Voltage(Vmp) | 17.69V |
| Optimum Operating Current(Imp) | 4.52A |
| Open Circuit Voltage(Voc) | 22.54V |
| Short Circuit Current(Isc) | 4.84A |
| Cell Efficiency | 16.02% |
| Module Efficiency | 13.23% |
| Tolerance Wattage | 0 +3% |
| NOCT | 45°C +/-2°C |

Benefits

- ▣ High efficiency solar cells with high transmission and textured glass are delivering high efficiency for modules;
- ▣ Bypass diode minimizes the power drop caused by shade;
- ▣ Tempered glass, EVA resin, and weatherproof film, plus aluminum frame for extended outdoor use;
- ▣ Modules independently tested to ensure conformance with certification and regulatory standards;
- ▣ Manufacturing facility certified to ISO 9001 quality management system standards.



Applications

- ▣ On-grid residential roof-tops
- ▣ On-grid commercial/industrial roof-tops
- ▣ Solar power stations
- ▣ Other on-grid applications

Temperature Coefficients

| | |
|------------------------------------|-------|
| Temperature Coefficients of Isc(%) | +0.04 |
| Temperature Coefficients of Voc(%) | -0.38 |
| Temperature Coefficients of Pm(%) | -0.47 |
| Temperature Coefficients of Im(%) | +0.04 |
| Temperature Coefficients of Vm(%) | -0.38 |





IGNITE THE POWER OF NATURE

Monocrystalline Module
--small size 80Watt

Components & Mechanical

| | |
|-------------------------------|---------------------------------|
| Solar Cell | 156*93 Mono |
| Number of Cell(pcs) | 4*9 |
| Size of Module(mm) | 905*668*35 |
| Front Glass Thickness(mm) | 3.2 |
| Surface Maximum Load Capacity | 2400-5400Pa |
| Allowable Hail Load | 23m/s ,7.53g |
| Weight Per Piece(KG) | 7.2 |
| Bypass Diode Rating(A) | 10 |
| Frame(Material Corners,etc.) | 35# |
| Temperature Range | -40°C to +85°C |
| FF (%) | 70-78% |
| Standard Test Conditions | AM1.5 1000W/m ² 25°C |

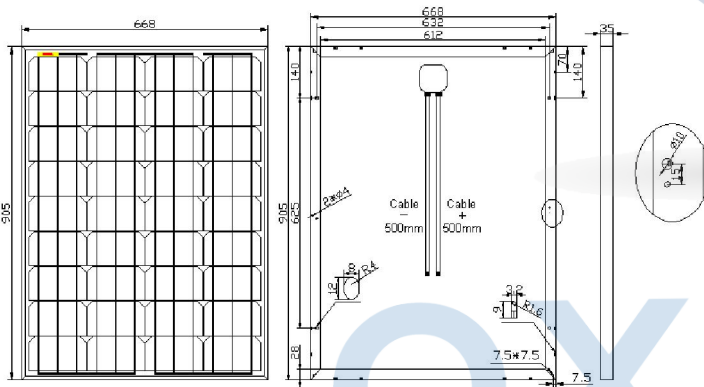
Packing

| | |
|----------------------|---------------|
| Packing | Wooden Box |
| Pieces per container | 30pcs/Pallets |

Project Picture



Engineering Drawings



©2016 Ningbo Qixin Solar Electrical Appliance Co., Ltd. All rights reserved.
Specifications included in this datasheet are subject to change without notice.



Ningbo Qixin Solar Electrical Appliance Co., Ltd

ADD: No. 37 Jingang Road, Binhai Industrial Park,
Xiangshan County, Ningbo, 315700, China

WEB: <http://www.nbqxsolar.com>

TEL: 0086-(0)574-25758823

FAX: 0086-(0)574-25758824

E-mail: sales@nbqxsolar.com

