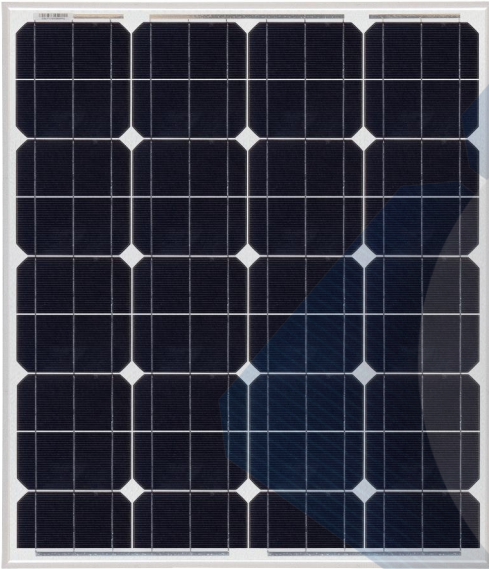


Model (SL75TU-18MD) Specifications

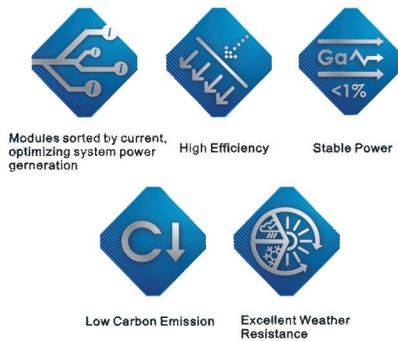
Electrical Data



|                                |             |
|--------------------------------|-------------|
| Maximum Power(W)               | 75W         |
| Optimum Power Voltage(Vmp)     | 18.57V      |
| Optimum Operating Current(Imp) | 4.04A       |
| Open Circuit Voltage(Voc)      | 22.64V      |
| Short Circuit Current(Isc)     | 4.32A       |
| Cell Efficiency                | 17.96%      |
| Module Efficiency              | 14.58%      |
| Tolerance Wattage              | 0 +3%       |
| NOCT                           | 45°C +/-2°C |

Benefits

- ▣ High efficiency solar cells with high transmission and textured glass are delivering high efficiency for modules;
- ▣ Bypass diode minimizes the power drop caused by shade;
- ▣ Tempered glass, EVA resin, and weatherproof film, plus aluminum frame for extended outdoor use;
- ▣ Modules independently tested to ensure conformance with certification and regulatory standards;
- ▣ Manufacturing facility certified to ISO 9001 quality management system standards.



Applications

- ▣ On-grid residential roof-tops
- ▣ On-grid commercial/industrial roof-tops
- ▣ Solar power stations
- ▣ Other on-grid applications

Temperature Coefficients

|                                    |       |
|------------------------------------|-------|
| Temperature Coefficients of Isc(%) | +0.04 |
| Temperature Coefficients of Voc(%) | -0.38 |
| Temperature Coefficients of Pm(%)  | -0.47 |
| Temperature Coefficients of Im(%)  | +0.04 |
| Temperature Coefficients of Vm(%)  | -0.38 |





IGNITE THE POWER OF NATURE

Monocrystalline Module  
--small size 75Watt

Components & Mechanical

|                               |                                 |
|-------------------------------|---------------------------------|
| Solar Cell                    | 156*78 Mono                     |
| Number of Cell(pcs)           | 4*9                             |
| Size of Module(mm)            | 770*668*35                      |
| Front Glass Thickness(mm)     | 3.2                             |
| Surface Maximum Load Capacity | 2400-5400Pa                     |
| Allowable Hail Load           | 23m/s ,7.53g                    |
| Weight Per Piece(KG)          | 6.1                             |
| Bypass Diode Rating(A)        | 10                              |
| Frame(Material Corners,etc.)  | 35#                             |
| Temperature Range             | -40°C to +85°C                  |
| FF (%)                        | 70-78%                          |
| Standard Test Conditions      | AM1.5 1000W/m <sup>2</sup> 25°C |

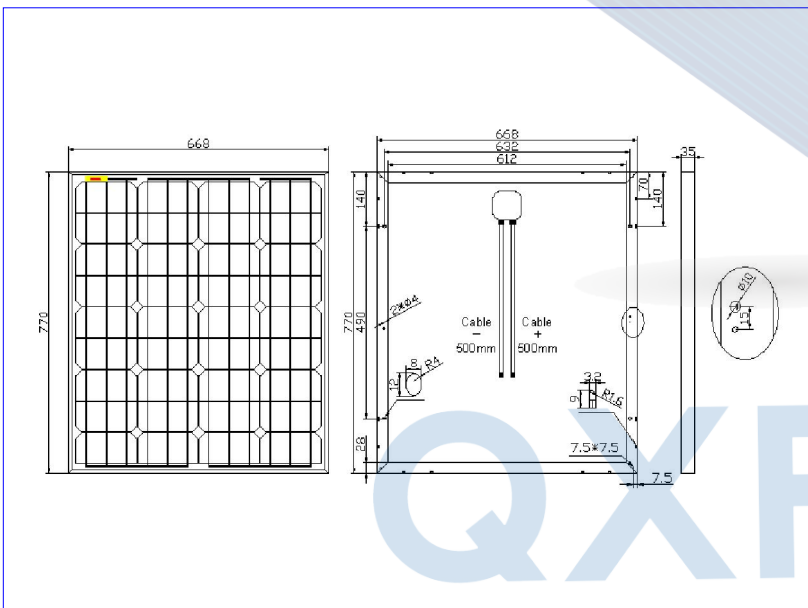
Packing

|                      |               |
|----------------------|---------------|
| Packing              | Wooden Box    |
| Pieces per container | 30pcs/Pallets |

Project Picture



Engineering Drawings



©2016 Ningbo Qixin Solar Electrical Appliance Co., Ltd. All rights reserved.  
Specifications included in this datasheet are subject to change without notice.



**Ningbo Qixin Solar Electrical Appliance Co., Ltd**

ADD: No. 37 Jingang Road, Binhai Industrial Park,  
Xiangshan County, Ningbo, 315700, China

WEB: <http://www.nbqxsolar.com>

TEL: 0086-(0)574-25758823

FAX: 0086-(0)574-25758824

E-mail: [sales@nbqxsolar.com](mailto:sales@nbqxsolar.com)