



LEAPTON
SOLAR

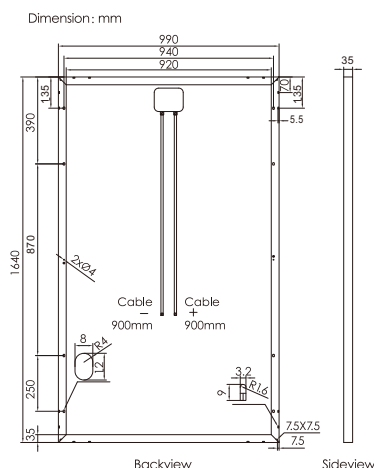
LP156x156-M-60

Rated Power 280-295W



Monocrystalline

Polycrystalline



Product Series	LP156*156-M-60		
	280W	285W	295W
Open Circuit Voltage	37.99V	38.1V	38.3V
Short Circuit Current	9.49A	9.62A	9.88V
Maximum Power Voltage	30.97V	31.1V	31.3V
Maximum Power Current	9.04A	9.17A	9.43A
Module Efficiency	17.2%	17.6%	18.2%

Product Characteristics			
Weight	18.0kg	Junction Box	IP67
Module Size	1640*990*35mm	Frame	Aluminum Alloy
Cell Amount	60 pcs of monocrystalline	Cable	4mm ² , Length 900mm
Cell Size	156*156mm	Connection	(Compatible with) MC4
Maximum System Voltage	1000V	Application Level	Class A

Temperature Characteristics		Maximum Ratings	
NOCT	45	Output Tolerance	0~+3%
Temperature Coefficient of Short Circuit Current	+0.0392%/°C	Operating Temperature	-40°C~+85°C
Temperature Coefficient of Open Circuit Voltage	-0.3121%/°C	Wind Load / Snow Load	2400pa/5400pa
Temperature Coefficient of Maximum Power	-0.4218%/°C	Fuse Current	15A



- 10-YEAR 90% Maximum Output
- 25-YEAR 80% Maximum Output



J-PEC Product



- Salt Spray Certificate
- IEC 61701 (Salt Mist Corrosion Test)



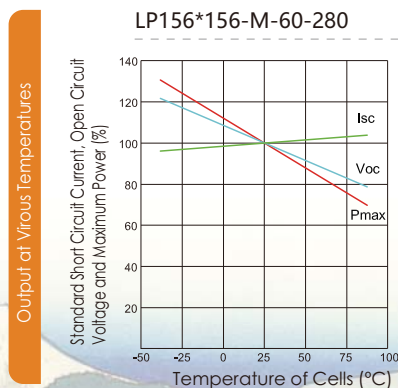
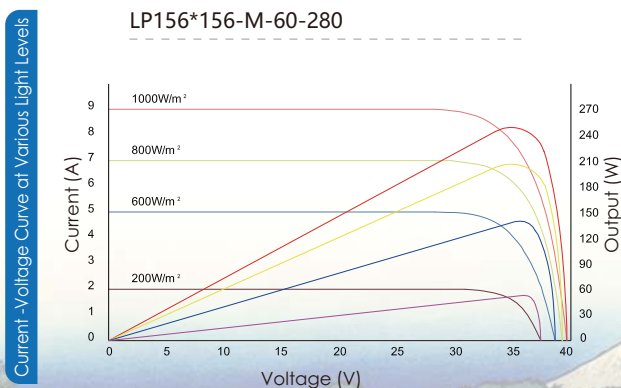
TÜV PID Certificate



TÜV Certificate



Output 285W~295W



Leapton Energy Co., Ltd.
HEAD OFFICE, Kobe, JAPAN
Tosei Bldg.6F,1-2-1,Aioi-cho,
Chuo-ku,Kobe-shi,
Hyogo 650-0025,Japan

PV System Manufacturer
Leapton Solar (Changshu) Co.,Ltd.
No.55, Sunshine Avenue, Changshu City,
Jiangsu, China

www.leaptonpv.com
info@leaptonenergy.com