

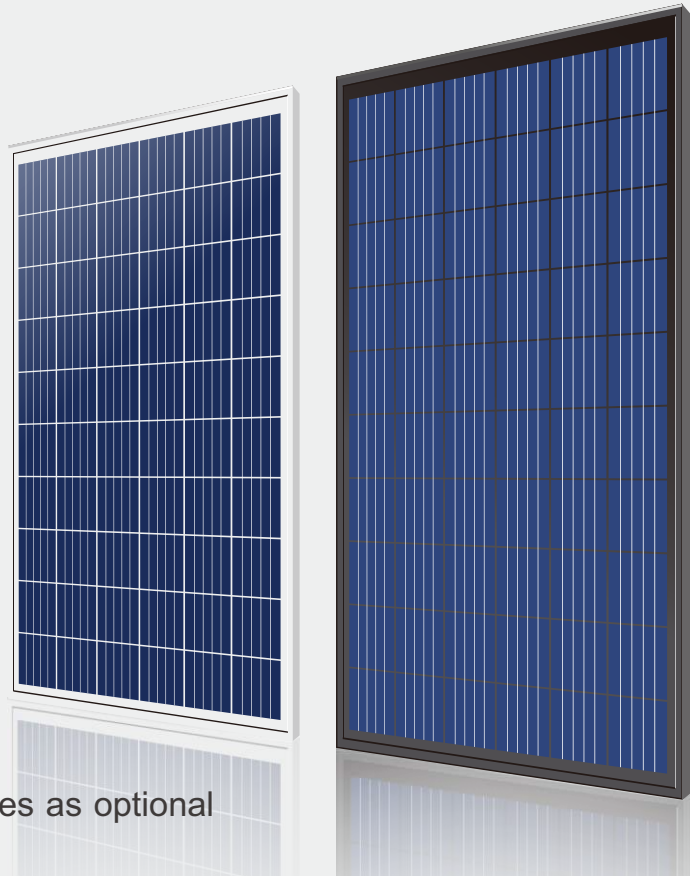


Premium Series

## SUNTELLITE MODULE POLYCRYSTALLINE

ZDNY-260P60	260Wp
ZDNY-265P60	265Wp
ZDNY-270P60	270Wp
ZDNY-275P60	275Wp
ZDNY-280P60	280Wp

ZDNY-\*\*\*P60 All black series as optional



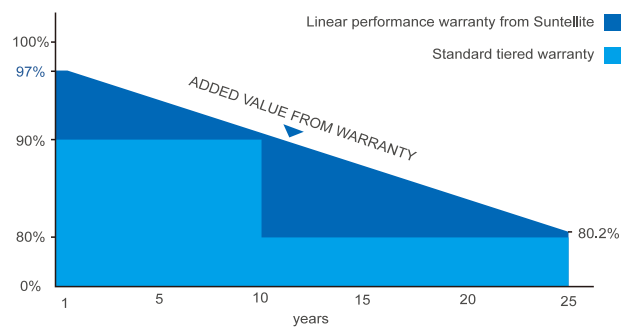
### Key Features

- High-yield modules with high level of efficiency :**  
 Automatic cell and module production with 100% quality control and product trace-ability.  
 0 to +3% of positive power tolerance guaranteed  
 PID Free(Potential Induced Degradation)
- Heavy Load mechanical resistance :**  
 TUV Certified (5400Pa tested against snow and 2400Pa against the wind )
- The production system is ISO9001, ISO14001, OHSAS18001 certified**
- Fire Test Approved :**  
 Application class A, Safety Class II, Fire Rating A
- High Salt mist and ammonia resistance**
- Enhanced design for easy installation and long-term reliability.**



### Warranty

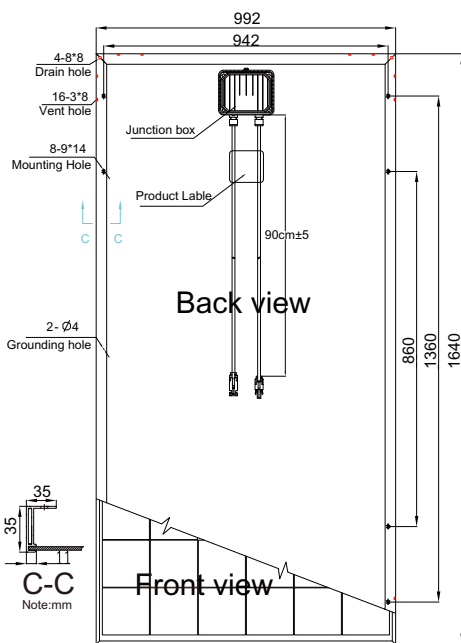
- 12 years limited workmanship warranty.
- No less than 97% output power in the first year.
- No more than 0.7% annual declination since the second year.
- 25 year warranty at 80.2% power output.
- Product liability and E&O insurance has been covered by Chubb Insurance



## Typical electrical characteristics

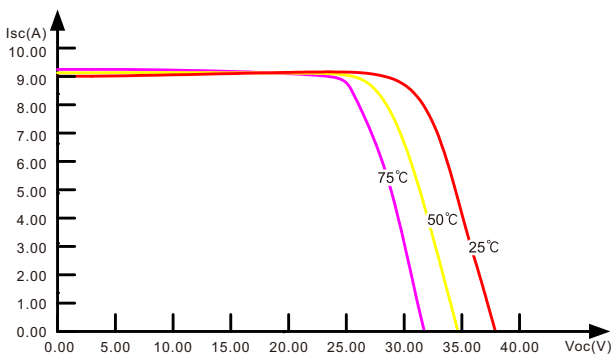
Characteristics	ZDNY-260P60	ZDNY-265P60	ZDNY-270P60	ZDNY-275P60	ZDNY-280P60
Max.Power(Pmax)	260Wp	265Wp	270Wp	275Wp	280Wp
Optimum Operating Voltage(Vm)	30.73V	30.92V	31.08V	31.22V	31.41V
Optimum Operating Current(I <sub>m</sub> )	8.47A	8.58A	8.69A	8.81A	8.92A
Open-circuit Voltage(Voc)	37.90V	38.15V	38.26V	38.37V	38.45V
Short-circuit Current(I <sub>sc</sub> )	9.01A	9.10A	9.22A	9.31A	9.40A
Cell Efficiency	17.81%	18.15%	18.49%	18.83%	19.18%
Module efficiency	15.98%	16.29%	16.60%	16.90%	17.21%

- STC (Standard Test Condition): Irradiance 1000W/m<sup>2</sup>, Module Temperature 25°C, AM=1.5
- NOCT: Irradiance 800W/m<sup>2</sup>, ambient Temperature 20°C, wind speed 1m/s



Solar Cell	Poly-crystalline 156*156mm
Output Tolerance(Pmax)	0 ~ +3%
Number of cells	60 cells in series
Module Dimension	1640*992*35mm
Weight	18.80kg
Max.System Voltage	1000V(TUV)/1000V(UL)
Max.Series Fuse Rating	15A
Output Cable	PV 4mm <sup>2</sup>
Cable Length	90cm±5
Number of bypass diodes	3
Temperature cycling range	(-40 ~ 85 °C )
NOCT	47°C ±2°C
Temperature coefficients of I <sub>sc</sub>	+0.046%/K
Temperature coefficients of V <sub>oc</sub>	-0.303%/K
Temperature coefficients of P <sub>max</sub>	-0.41%/K
Load Capacity	394pcs/20'GP
	896pcs/40'HQ

I-V Curves of PV module ZDNY-270P60 at various cell temperatures



I-V Curves of PV module ZDNY-270P60 at various solar irradiance

