

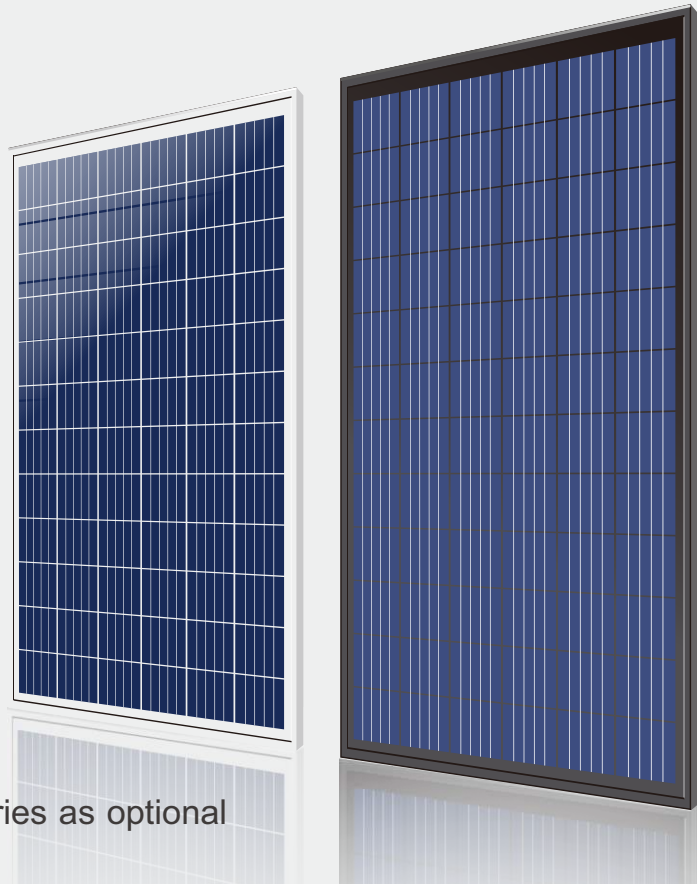


Premium Series

SUNTELLITE MODULE POLYCRYSTALLINE

ZDNY-310P72	310Wp
ZDNY-315P72	315Wp
ZDNY-320P72	320Wp
ZDNY-325P72	325Wp
ZDNY-330P72	330Wp

ZDNY-***P72 All black series as optional



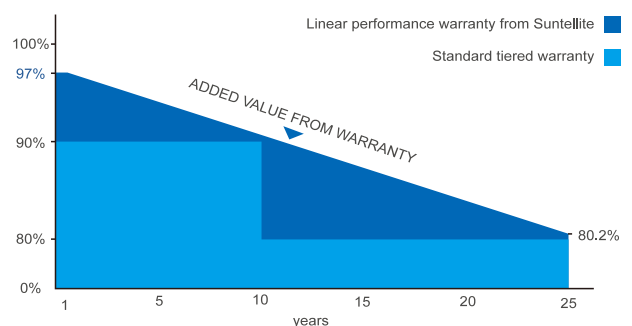
Key Features

- High-yield modules with high level of efficiency :**
 Automatic cell and module production with 100% quality control and product trace-ability.
 0 to +3% of positive power tolerance guaranteed
 PID Free(Potential Induced Degradation)
- Heavy Load mechanical resistance :**
 TUV Certified (5400Pa tested against snow and 2400Pa against the wind)
- The production system is ISO9001, ISO14001, OHSAS18001 certified**
- Fire Test Approved :**
 Application class A, Safety Class II, Fire Rating A
- High Salt mist and ammonia resistance**
- Enhanced design for easy installation and long-term reliability.**



Warranty

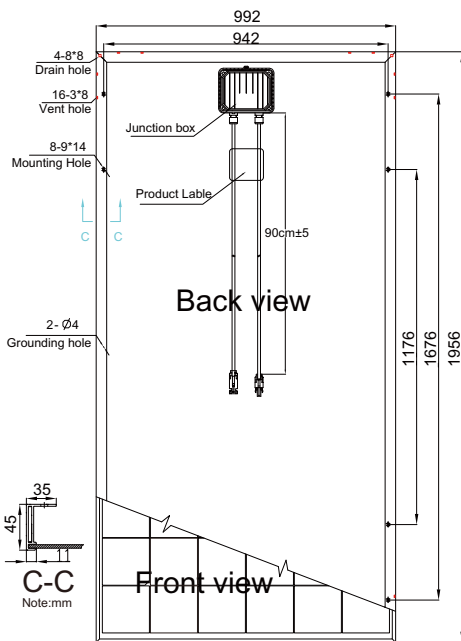
- 12 years limited workmanship warranty.
- No less than 97%output power in the first year.
- No more than 0.7% annual declination since the second year.
- 25 year warranty at 80.2% power output.
- Product liability and E&O insurance has been covered by Chubb Insurance



Typical electrical characteristics

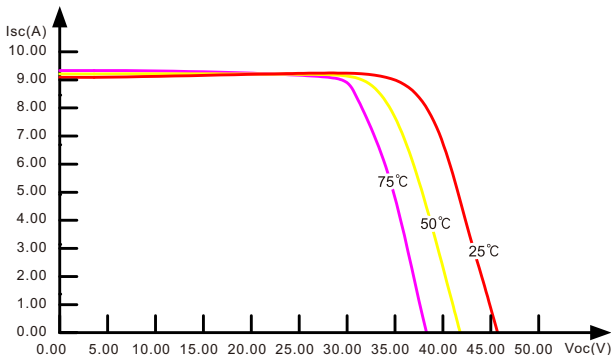
Characteristics	ZDNY-310P72	ZDNY-315P72	ZDNY-320P72	ZDNY-325P72	ZDNY-330P72
Max.Power(Pmax)	310Wp	315Wp	320Wp	325Wp	330Wp
Optimum Operating Voltage(Vm)	36.91V	37.01V	37.05V	37.09V	37.13V
Optimum Operating Current(Im)	8.41A	8.52A	8.64A	8.77A	8.89A
Open-circuit Voltage(Voc)	45.65V	45.70V	45.70V	45.74V	45.76V
Short-circuit Current(Isc)	8.85A	8.98A	9.09A	9.20A	9.27A
Cell Efficiency	17.69%	17.98%	18.26%	18.55%	18.83%
Module efficiency	15.98%	16.23%	16.49%	16.75%	17.01%

- STC (Standard Test Condition): Irradiance 1000W/m², Module Temperature 25°C, AM=1.5
- NOCT: Irradiance 800W/m², ambient Temperature 20°C, wind speed 1m/s



Solar Cell	Poly-crystalline 156*156mm
Output Tolerance(Pmax)	0 ~ +3%
Number of cells	72 cells in series
Module Dimension	1956*992*45mm
Weight	23.00kg
Max.System Voltage	1000V(TUV)/1000V(UL)
Max.Series Fuse Rating	15A
Output Cable	PV 4mm ²
Cable Length	90cm±5
Number of bypass diodes	3
Temperature cycling range	(-40 ~ 85 °C)
NOCT	47°C ±2°C
Temperature coefficients of Isc	+0.046%/K
Temperature coefficients of Voc	-0.303%/K
Temperature coefficients of Pmax	-0.41%/K
Load Capacity	230pcs/20'GP
	600pcs/40'HQ

I-V Curves of PV module ZDNY-320P72 at various cell temperatures



I-V Curves of PV module ZDNY-320P72 at various solar irradiance

