

Hansol

**Multi
60 cells
(250~280Watt)**

Those who dream of a better future can help lead to a more meaningful and enriched world. As a leading solar module manufacturer in Korea, we never stop to achieve competitiveness through differentiation, implement the maximum value, and commit to sustainable development with customers.

Key Features

**25
years**

Linear Performance Warranty

10 Years product warranty
25 Years linear performance warranty

5,400Pa**

Certified Durability

5400 Pa snow load
2400 Pa wind load

1000V

1000V

Designed for UL 1000V and IEC 1000V

Optional Features

**PID
FREE**

PID Free

Anti-PID Cell
Anti-PID encapsulation technology

~~~~~

Floating PV Installation

Module backside blocks moisture permeability

↑

Power Optimization

Increase the energy output of each individual panel in a system to enhance O&M, shade and age tolerance

R-Black

Railless Black Frame

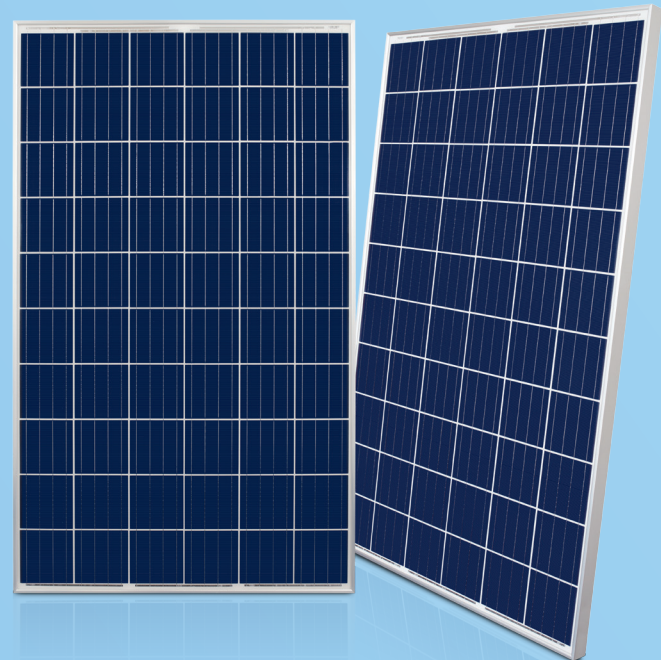
Easy to install / Time saving

Product Certificates

IEC 61215 / IEC 61730 : TUV / VDE / CE

IEC 61701 Salt Mist Corrosion Level 6

UL 1703 Fire Rating Type 1



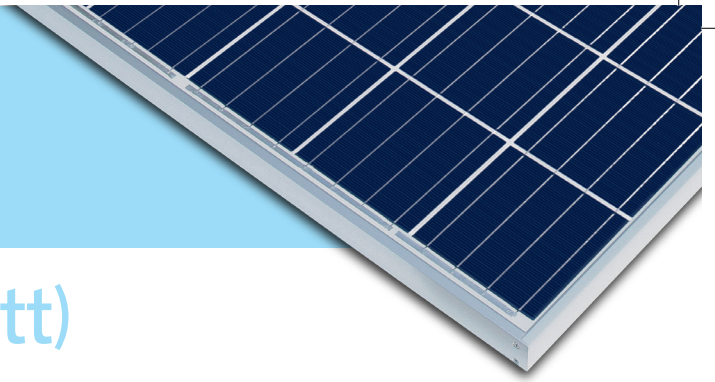
Hansol

www.hansoltechnics.com

Everlasting sustainable energy solution provider

Multi - Crystalline Solar Module (NB-AN3)

60 cells (250~280Watt)



Electrical Data / STC (NB-AN3) : Irradiance of 1000W/°C, spectrum AM 1.5 and cell temperature of 25°C								
Nominal Max Power	Pmax (Wp)	250	255	260	265	270	275	280
Voltage at Pmax	Vmp (v)	29.7	30.1	30.5	30.9	31.3	31.7	32.1
Current at Pmax	Imp (A)	8.43	8.49	8.54	8.59	8.63	8.68	8.73
Open Circuit Voltage	Voc (v)	36.8	37.2	37.6	38.0	38.4	38.8	39.2
Short Circuit Current	Isc (A)	8.96	9.01	9.07	9.12	9.16	9.21	9.25
Module Efficiency	%	14.97%	15.27%	15.57%	15.87%	16.17%	16.47%	16.77%
Operating Temperature	-40°C ~ +85°C							
Max. System Voltage	1000 Vdc TUV, 1000 Vdc UL							
Max. Service Fuse Rating	15A							
Max. Reverse Current	15A							
Power tolerance	0 ~ +4.99W							

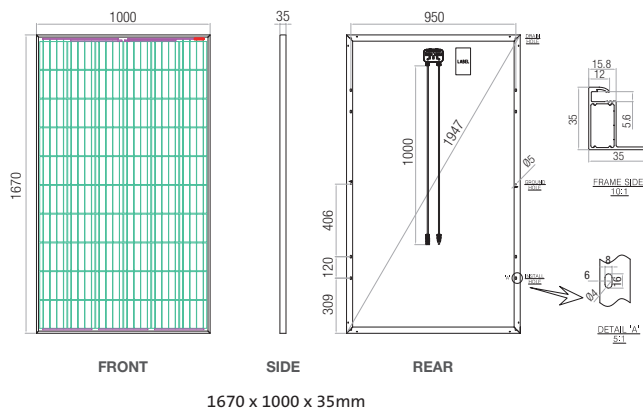
Electrical Data / NOCT (NB-AN3) : Irradiance of 800W/°C, spectrum AM 1.5 and ambient temperature of 20°C, wind speed 1m/s								
Nominal Max Power	Pmax (Wp)	183.6	187.4	191.0	194.6	198.0	201.7	205.4
Voltage at Pmax	Vmp (v)	27.3	27.7	28.0	28.4	28.7	29.1	29.4
Current at Pmax	Imp (A)	6.73	6.77	6.82	6.86	6.89	6.94	6.98
Open Circuit Voltage	Voc (v)	33.9	34.3	34.6	35.0	35.3	35.7	36.1
Short Circuit Current	Isc (A)	7.29	7.27	7.32	7.36	7.39	7.43	7.46
Module Efficiency	%	9.21%	9.40%	9.58%	9.76%	9.93%	10.12%	10.30%

Mechanical Data	
Cell Type	Multi-crystalline, 6 inch
Cell Arrangement	60 (6 x 10)
Dimensions	1670x 1000 x 35 / 32mm
Weight	18.9kg (41.7 lbs) / 19.3kg (42.5 lbs)
Frame	Anodized aluminum
Front glass	3.2mm Tempered glass
J-Box	IP68, 3 diodes
Output cable	(+)1000mm, (-)1000mm, 12AWG
Connectors	MC4 compatible
Module Fire Performance	Type 1
Stand. Packaging	29pcs (vertical) / 32pcs
Pallets per Container	26
Module Pieces per Container	754 / 832

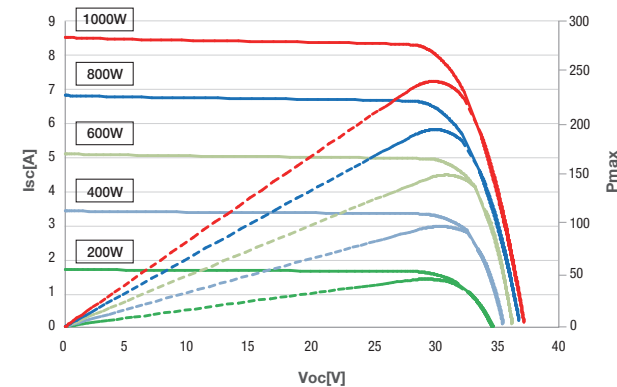
Warranties	
Product	10 years
Performance	10 years performance warranty (>90%)
	25 years linear power warranty (>80%)

Temperature Characteristics	
Specifications	Data
Temperature coefficient (Pmax)	-0.41
Temperature coefficient (Voc)	-0.29
Temperature coefficient (Isc)	0.04
Normal Operating Cell Temperature	46.0 ± 2°C

MODULE DIAGRAM unit : mm (inch)



I-V Curve according to Irradiance



Hansol
www.hansoltechnics.com

140, Gwahaksaneop 1-ro, Oksan-myeon, Heungdeok-gu,
Cheongju-si, Chunhcheongbuk-do, Korea
Tel : +82-43-219-3462, Fax : +82-43-219-3410
E-mail : solar@hansol.com



The information included in this Module Datasheet is subject to change without notice and is provided for information purposes only.