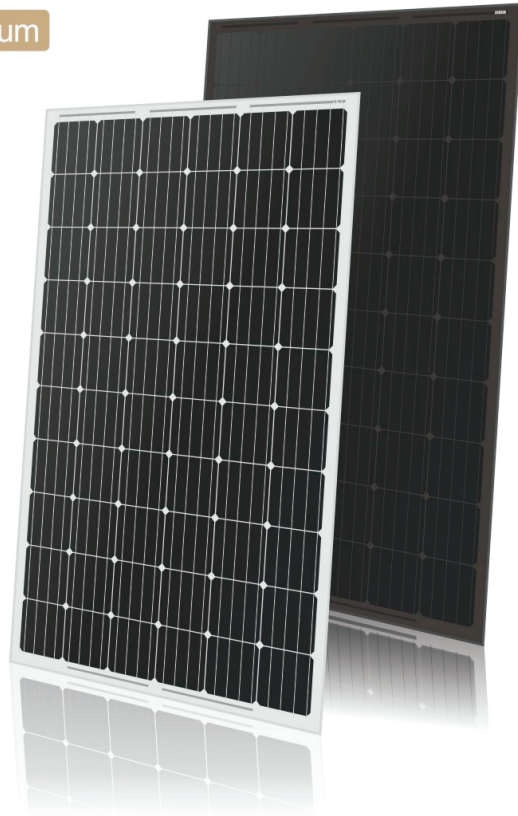


Premium



**17.21%**  
 Max Module Efficiency

**280W**  
 Max Power Output

**10 Year**  
 Product Warranty

**25 Year**  
 Linear Power Warranty

### Certifications



# SPI-60M



#### Positive tolerance

Guaranteed power output positive tolerance from 0 to 3%.



#### Smart auto-recognition of weak light performance

Smart light auto-recognition under the condition of low irradiance and hazy light(mornings, evenings and cloudy days).



#### Steady resistance to strong hailstone, wind and snow loads

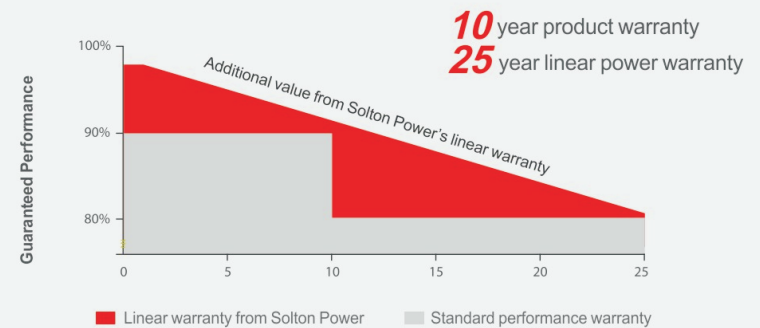
Special frame construction certified to ensure high wind loads(2400Pa), snow loads(5400Pa)and hailstone(40mm/4.5m/s).

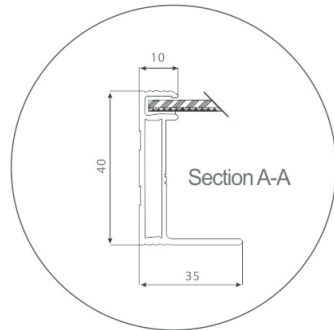
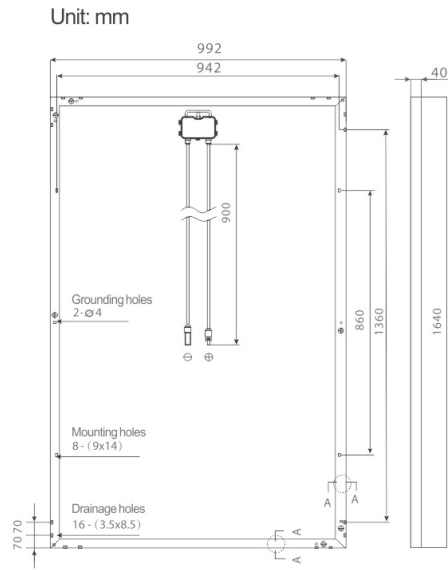


#### Fast Delivery

Worldwide network of over 7 warehouses in USA and EU, ensures the first-time delivery.

## Linear Performance Warranty





Electrical Data @STC	SPI-60-265M	SPI-60-270M	SPI-60-275M	SPI-60-280M
Peak Power Watts-Pmax(Wp)	265	270	275	280
Nominal Power Voltage-Vmp(V)	31.1	31.3	31.6	31.9
Nominal Power Current-Imp(A)	8.52	8.63	8.70	8.78
Open Circuit Voltage-Voc(V)	38.3	38.5	38.7	38.9
Short Circuit Current-Isc(A)	9.01	9.09	9.17	9.25
Module Efficiency-ηm(%)	16.29	16.60	16.90	17.21

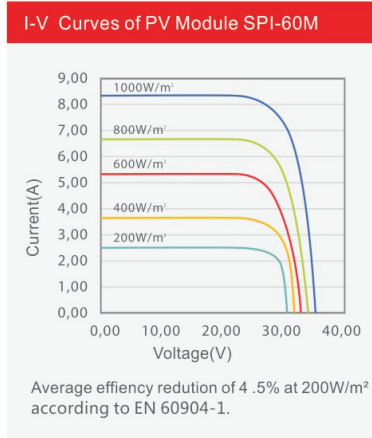
Values at Standard Test Conditions STC(Air Mass:AM1.5,Irradiance:1000W/M²,Cell Temperature:25).

Electrical Data @NOCT	SPI-60-265M	SPI-60-270M	SPI-60-275M	SPI-60-280M
Peak Power Watts-Pmax(Wp)	193	197	201	205
Nominal Power Voltage-Vmp(V)	27.9	28.0	28.1	28.2
Nominal Power Current-Imp(A)	6.92	7.04	7.15	7.27
Open Circuit Voltage-Voc(V)	35.3	35.4	35.5	35.6
Short Circuit Current-Isc(A)	7.22	7.29	7.36	7.42

NOCT:Irradiance at 800W/M²,Ambient Temperature:20°C,Wind Speed 1m/s.

Operating Conditions	
Maximum System Voltage	1000V <sub>DC</sub>
Max Series Fuse Rating	15A
Operating Temperature Range	-40°C~+85°C
Max.Static Load,Front	5400Pa
Max.Static Load,Back	2400Pa
Max.Hailstone Impact	40mm/4.5m/s

Mechanical Data	
Solar Cells	Monocrystalline 156*156mm
Cells Orientation	60cells(6*10)
Module Dimension	1640*992*40mm
Weight	18.5kg
Glass	High transparency and low-iron tempered solar glass 3.2mm(0.13 inches)
Frame	Silver color anodized aluminum alloy
Junction Box	IP 67 rated
Cable	Photovoltaic technology cable:4.0mm² (0.006 inches²),900mm(35.4 inches)
Connector	MC4 Compatible/IP65 or MC4 Original/IP67



Temperature Ratings

Nominal Operating Cell Temperature(NOCT)	(45±3)°C
Temperature Coefficient of Pmax	(-0.402)%/k
Temperature Coefficient of Voc	(-0.344)%/k
Temperature Coefficient of Isc	(0.052)%/k



Warranty

10 year workmanship warranty
25 year linear performance warranty

Packaging Configuration

26pcs per ctn,2pcs per box,(2ctns+2boxes)per plt, 14 plts(784pcs)per 40'HQ
---



Warning:read the installation manual before handing,installing and operating soltonpower modules.  
All rights reserved.Specifications include in this datasheet are subject to change without notice.

Address: 4575 Edison Ave.,Chino 91710 California ,U.S.A. Tel: +1 909 345 0694 Fax: +1 909 597 0469