



SPI-60P



Positive tolerance

Guaranteed power output positive tolerance from 0 to 3%.



Smart auto-recognition of weak light performance

Smart light auto-recognition under the condition of low irradiance and hazy light (mornings, evenings and cloudy days).



Steady resistance to strong hailstone, wind and snow loads

Special frame construction certified to ensure high wind loads (2400Pa), snow loads (5400Pa) and hailstone (40mm/4.5m/s).



Fast Delivery

Worldwide network of over 7 warehouses in USA and EU, ensures the first-time delivery.

15.98%
Max Module Efficiency

260W
Max Power Output

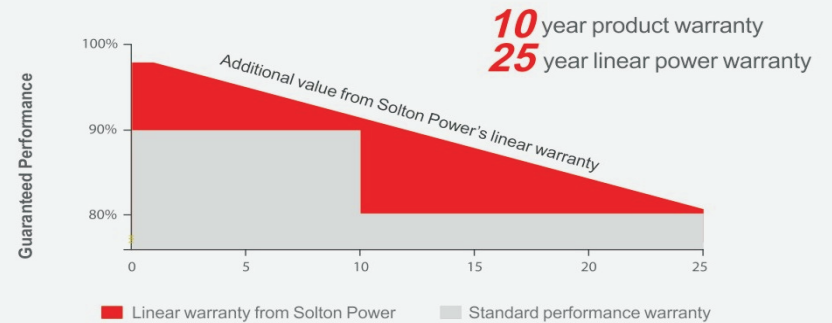
10 Year
Product Warranty

25 Year
Linear Power Warranty

Certifications

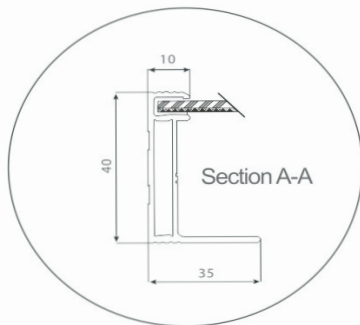
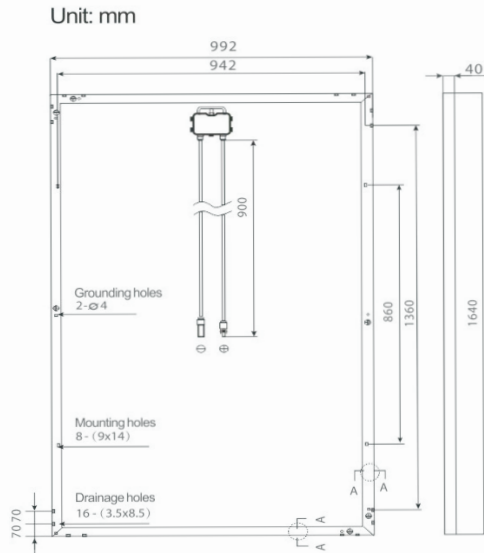


Linear Performance Warranty



SPI-60P

Power your world



Electrical Data @STC	SPI-60-250P	SPI-60-255P	SPI-60-260P
Peak Power Watts-Pmax(Wp)	250	255	260
Nominal Power Voltage-Vmp(V)	29.9	30.3	30.6
Nominal Power Current-Imp(A)	8.36	8.42	8.50
Open Circuit Voltage-Voc(V)	37.7	37.8	38.0
Short Circuit Current-Isc(A)	8.91	8.97	9.03
Module Efficiency-ηm(%)	15.37	15.67	15.98

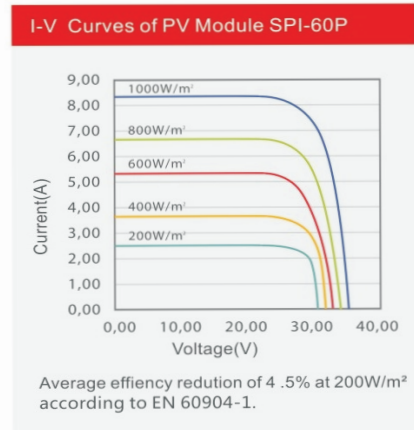
Values at Standard Test Conditions STC(Air Mass:AM1.5,Irradiance;1000W/M²,Cell Temperature:25).

Electrical Data @NOCT	SPI-60-250P	SPI-60-255P	SPI-60-260P
Peak Power Watts-Pmax(Wp)	181	184	187
Nominal Power Voltage-Vmp(V)	27.9	28.0	28.1
Nominal Power Current-Imp(A)	6.50	6.58	6.67
Open Circuit Voltage-Voc(V)	34.3	34.4	34.5
Short Circuit Current-Isc(A)	6.89	6.95	7.02

NOCT:Irradiance at 800W/M²,Ambient Temperature:20°C,Wind Speed 1m/s.

Operating Conditions	
Maximum System Voltage	1000V _{DC}
Max Series Fuse Rating	15A
Operating Temperature Range	-40°C~+85°C
Max.Static Load,Front	5400Pa
Max.Static Load,Back	2400Pa
Max.Hailstone Impact	40mm/4.5m/s

Mechanical Data	
Solar Cells	Polycrystalline 156*156mm
Cells Orientation	60cells(6*10)
Module Dimension	1640*992*40mm
Weight	18.5kg
Glass	High transparency and low-iron tempered solar glass 3.2mm(0.13 inches)
Frame	Silver color anodized aluminum alloy
Junction Box	IP 67 rated
Cable	Photovoltaic technology cable:4.0mm ² (0.006 inches ²),900mm(35.4 inches)
Connector	MC4 Compatible/IP65 or MC4 Original/IP67



Temperature Ratings

Nominal Operating Cell Temperature(NOCT)	(45±3)°C
Temperature Coefficient of Pmax	(-0.402)%/k
Temperature Coefficient of Voc	(-0.344)%/k
Temperature Coefficient of Isc	(0.052)%/k



Warranty

10 year workmanship warranty
25 year linear performance warranty

Packaging Configuration

26pcs per ctn,2pcs per box,(2ctns+2boxes)per plt, 14 plits(784pcs)per 40'HQ
--



Warning:read the installation manual before handing,installing and operating soltonpower modules.
All rights reserved.Specifications include in this datasheet are subject to change without notice.

Address: 4575 Edison Ave.,Chino 91710 California ,U.S.A. Tel: +1 909 345 0694 Fax: +1 909 597 0469