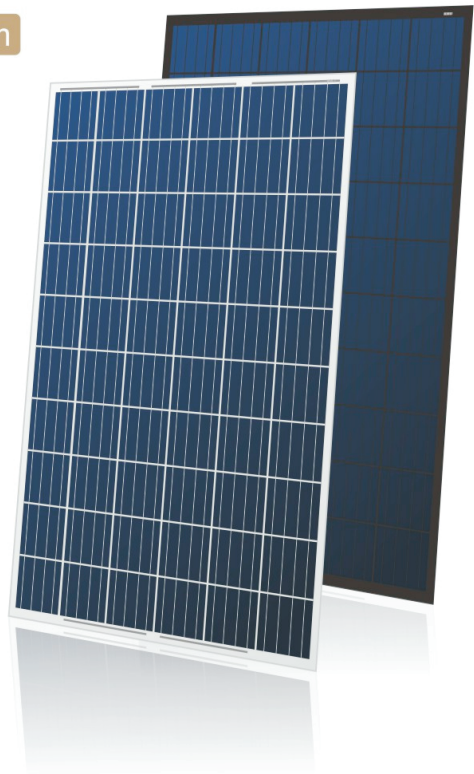


Premium



SPI-60P



Positive tolerance

Guaranteed power output positive tolerance from 0 to 3%.



Smart auto-recognition of weak light performance

Smart light auto-recognition under the condition of low irradiance and hazy light (mornings, evenings and cloudy days).



Steady resistance to strong hailstone, wind and snow loads

Special frame construction certified to ensure high wind loads (2400Pa), snow loads (5400Pa) and hailstone (40mm/4.5m/s).



Fast Delivery

Worldwide network of over 7 warehouses in USA and EU, ensures the first-time delivery.

17.21%
Max Module Efficiency

280W
Max Power Output

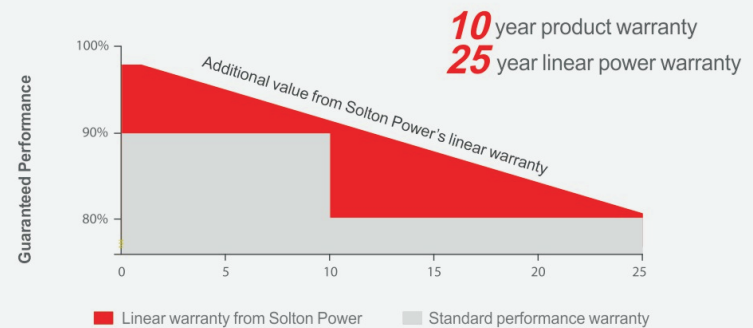
10 Year
Product Warranty

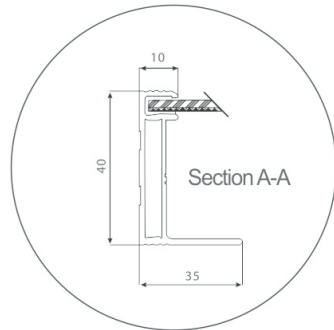
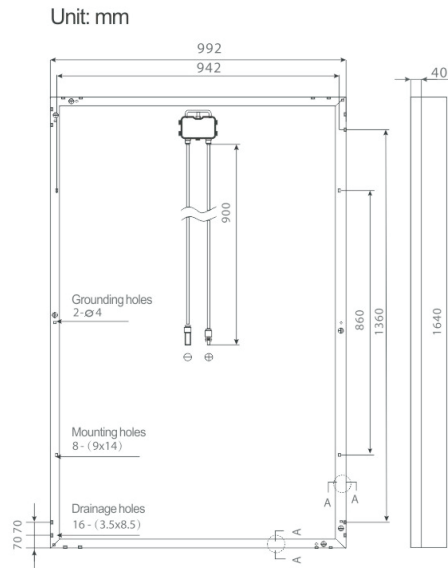
25 Year
Linear Power Warranty

Certifications



Linear Performance Warranty





| Electrical Data @STC | SPI-60-265P | SPI-60-270P | SPI-60-275P | SPI-60-280P |
|------------------------------|-------------|-------------|-------------|-------------|
| Peak Power Watts-Pmax(Wp) | 265 | 270 | 275 | 280 |
| Nominal Power Voltage-Vmp(V) | 30.9 | 31.2 | 31.5 | 31.8 |
| Nominal Power Current-Imp(A) | 8.58 | 8.65 | 8.73 | 8.81 |
| Open Circuit Voltage-Voc(V) | 38.3 | 38.6 | 38.8 | 39.1 |
| Short Circuit Current-Isc(A) | 9.09 | 9.15 | 9.35 | 9.45 |
| Module Efficiency-ηm(%) | 16.29 | 16.60 | 16.90 | 17.21 |

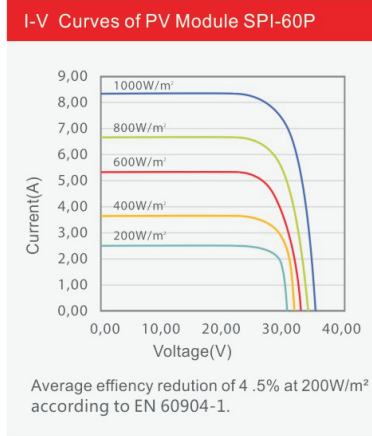
Values at Standard Test Conditions STC(Air Mass:AM1.5,Irradiance:1000W/M²,Cell Temperature:25).

| Electrical Data @NOCT | SPI-60-265P | SPI-60-270P | SPI-60-275P | SPI-60-280P |
|------------------------------|-------------|-------------|-------------|-------------|
| Peak Power Watts-Pmax(Wp) | 190 | 190 | 193 | 196 |
| Nominal Power Voltage-Vmp(V) | 28.2 | 28.2 | 28.3 | 28.4 |
| Nominal Power Current-Imp(A) | 6.74 | 6.74 | 6.82 | 6.90 |
| Open Circuit Voltage-Voc(V) | 34.6 | 34.6 | 34.7 | 34.8 |
| Short Circuit Current-Isc(A) | 7.09 | 7.09 | 7.16 | 7.25 |

NOCT:Irradiance at 800W/M²,Ambient Temperature:20°C,Wind Speed 1m/s.

| Operating Conditions | |
|-----------------------------|---------------------|
| Maximum System Voltage | 1000V _{DC} |
| Max Series Fuse Rating | 15A |
| Operating Temperature Range | -40°C~+85°C |
| Max.Static Load,Front | 5400Pa |
| Max.Static Load,Back | 2400Pa |
| Max.Hailstone Impact | 40mm/4.5m/s |

| Mechanical Data | |
|-------------------|--|
| Solar Cells | Polycrystalline 156*156mm |
| Cells Orientation | 60cells(6*10) |
| Module Dimension | 1640*992*40mm |
| Weight | 18.5kg |
| Glass | High transparency and low-iron tempered solar glass 3.2mm(0.13 inches) |
| Frame | Silver color anodized aluminum alloy |
| Junction Box | IP 67 rated |
| Cable | Photovoltaic technology cable:4.0mm ² (0.006 inches ²),900mm(35.4 inches) |
| Connector | MC4 Compatible/IP65 or MC4 Original/IP67 |



Temperature Ratings

| | |
|--|-------------|
| Nominal Operating Cell Temperature(NOCT) | (45±3)°C |
| Temperature Coefficient of Pmax | (-0.402)%/k |
| Temperature Coefficient of Voc | (-0.344)%/k |
| Temperature Coefficient of Isc | (0.052)%/k |



Warranty

| |
|-------------------------------------|
| 10 year workmanship warranty |
| 25 year linear performance warranty |

Packaging Configuration

| |
|---|
| 26pcs per ctn,2pcs per box,(2ctns+2boxes)per plt, 14 plts(784pcs)per 40'HQ |
|---|



Warning:read the installation manual before handing,installing and operating soltonpower modules.
All rights reserved.Specifications include in this datasheet are subject to change without notice.

Address: 4575 Edison Ave.,Chino 91710 California ,U.S.A. Tel: +1 909 345 0694 Fax: +1 909 597 0469