

Photovoltaic Module Polycrystalline72

KEY FEATURES



High module efficiency through superior manufacturing technology



No power loss thanks to improved temperature co-efficient caused by 5 busbar solar cell



Strictly control the micro-crack of solar cells and the other non visible defect of internal modules



Module can bear snow loads up to 5400Pa and wind loads up to 2400Pa



Manufactured according to and certified international I Quality and Environment Management System



Using advanced low reflection and high light transmission glass and cell sheet surface cutting technology, in the weak light environment can also play a good performance.



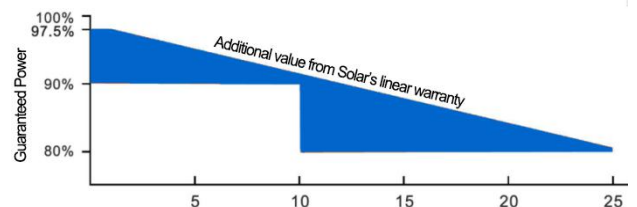
Certificates

- IEC61215, IEC61730, CQC, CE, TUV
- ISO9001:2008
- ISO14001:2004
- BSOHSAS18001:2007



Warranties

- 10 years product warranty
- 25 years power warranty



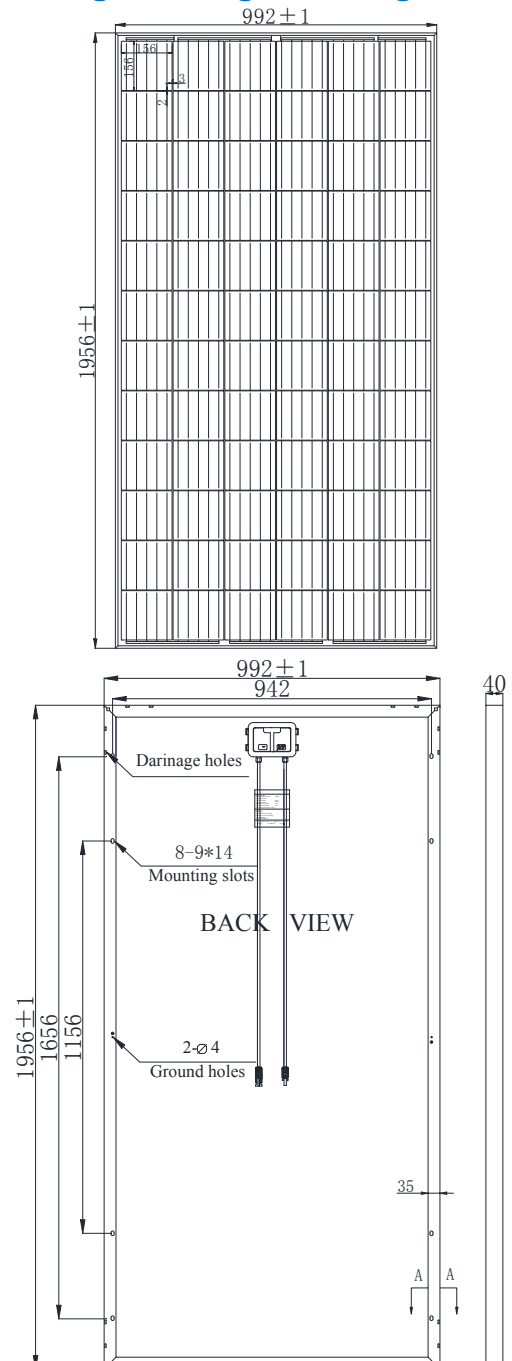
Electrical Characteristics

Model	NS-300P6	NS-310P6	NS-320P6	NS-325P6	NS-330P6
Maximum Power at STC(Pmax)	300W	310W	320W	325W	330W
Optimum Operating Voltage (Vmp)	37.02V	37.32V	37.62V	37.88V	38.15V
Optimum Operating Current (Imp)	8.11A	8.31A	8.51A	8.58A	8.65A
Open-Circuit Voltage (Voc)	44.52V	44.76V	44.84V	44.86V	44.86V
Short-Circuit Current (Isc)	9.06A	9.231A	9.515A	9.660A	9.804A
Solar Cell Efficiency (%)	17.03	18.05	18.63	18.92	19.21
Solar Module Efficiency (%)	15.50	15.98	16.49	16.75	17.01
Operating Temperature	-40to85°C				
Maximum System Voltage	DC1000				
Maximum Series Fuse Rating	15A				
Power Tolerance	0~+3%				
STC:Irradiance 1000W/m ² ,Modules Temperature 25°C,AM=1.5					

Temperature Coefficient and Mechanical Characteristics

Nominal Operating Cell Temperature (NOCT)	47°C+/-2°C
Temperature Coefficient of Pmax	-0.47%/°C
Temperature Coefficient of VOC	-0.346%/°C
Temperature Coefficient of ISC	+0.036%/°C
Solar cell	Poly156*156mm
No.of cells	72 (6*12)
Dimensions	1956mm*992mm*40mm
Weight	22kg
Front glass	3.2mm tempered glass
Frame	Anodized aluminium alloy
Junction box	PV--*****
Connector	Plug and socket
Output cables	PV 4.0mm ² ,0.9m
1*20'	250pcs
1*40'	514pcs
1*40'HQ	580pcs

Engineering Drawings



IV-Curves

