



## EnerSol 10

**+ 0/+5 WP POSITIVE TOLERANCE**

**🏠 OFF-GRID USE**

**✓ HIGH QUALITY**

25 year linear performance warranty  
10 year product warranty

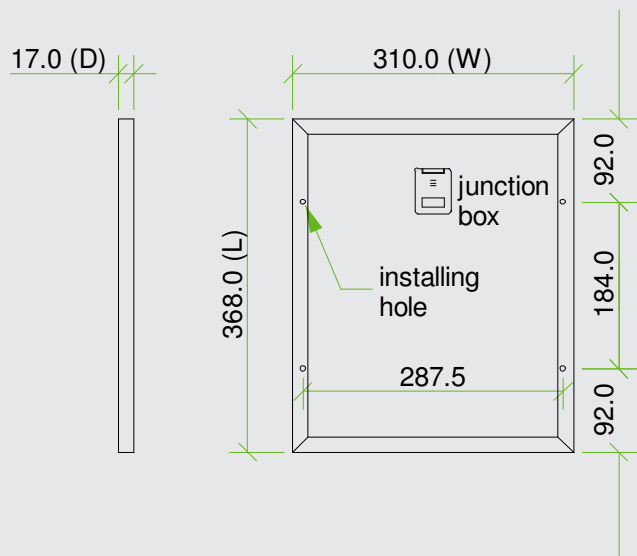


enerSol

High quality solar panels  
designed for off-grid use

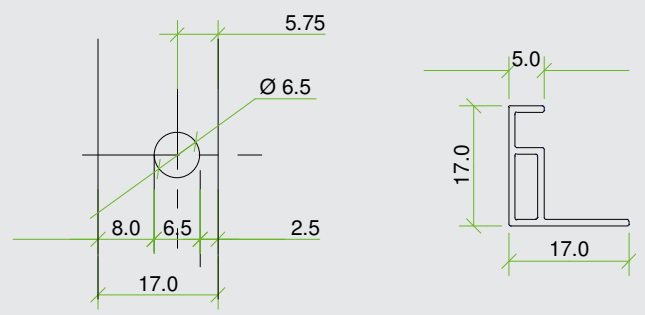


# EnerSol 10



## General characteristics

Cell	Polycrystalline solar cell 52 x 39 mm
No. of Cells (Connections)	36 (6x6)
Panel Dimensions	310 x 368 x 17 mm
Weight	1.5 kg
Connectors and Cables	Available upon request



## Thermal conditions

Normal Operating Cell Temperature 800W/m <sup>2</sup> Irradiance, 20°C, AM = 1.5	48°C ± 2°C
Power Temperature Coefficient	- 0.5%/K
Current Temperature Coefficient	0.035%/K
Voltage Temperature Coefficient	- 0.37 MV/K

## Limits

Operating Temperature	- 40°C to 85°C
Maximum System Voltage	1000V DC

## Electric performance at STC \*

Maximum Power	10 Wp
Power Tolerance	0/+5 Wp
Maximum Power Voltage	18 V
Maximum Power Current	0.56 A
Open Circuit Voltage	21.1 V
Short Circuit Current	0.73 A

\*Standard Test Conditions : 1000W/m<sup>2</sup> irradiance, 25°C and AM = 1.5

## High performance

**25** 25 Years linear performance

**10** 10 Years product warranty

