



AquaSol 180

+ 0/+5 WP POSITIVE TOLERANCE

💧 WATER PUMP USE

✓ HIGH QUALITY

25 year linear performance warranty
10 year product warranty

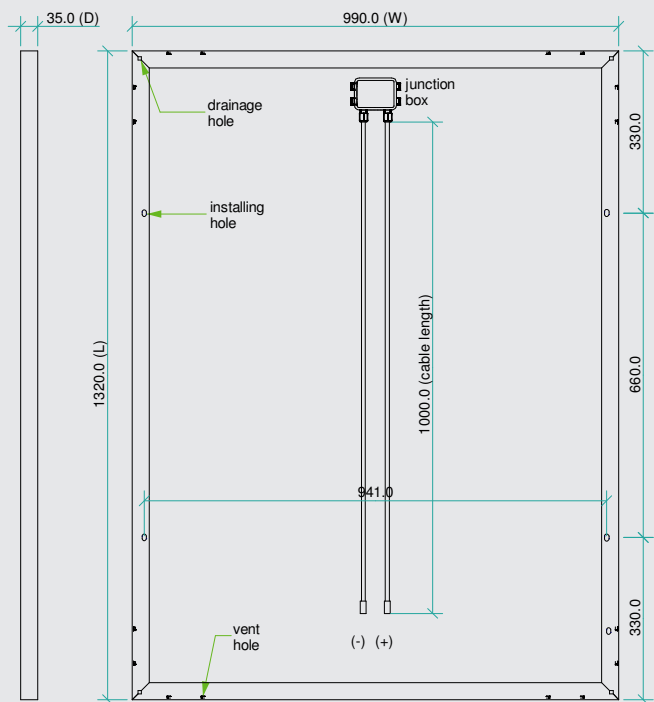


aquaSol

The high voltage solar panels
designed for solar pumping

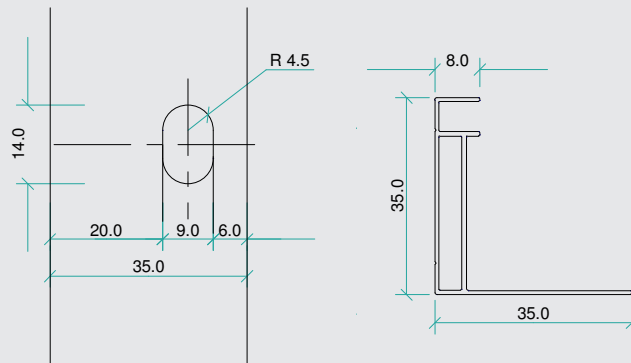


AquaSol 180



General characteristics

Cell	polycrystalline solar cell 156 x 104 mm
No. of Cells (Connections)	72 (6 x 12)
Panel Dimensions	1320 x 990 x 35 mm
Weight	14.5 kg
Connectors and Cables	Connectors and 1m cables



Thermal conditions

Normal Operating Cell Temperature 800W/m ² irradiance, 20°C, AM = 1.5	48°C ± 2°C
Power temperature coefficient	- 0.5%/K
Current temperature coefficient	0.035%/K
Voltage temperature coefficient	- 0.37 MV/K

Limits

Operating temperature	-40°C to + 85°C
Maximum system voltage	1000V DC

Electric performance at STC *

Maximum Power	180 W
Power tolerance	0/+5 W _p
Maximum power voltage	36 V
Maximum power current	5.00 A
Open circuit voltage	45.2 V
Short circuit current	5.31 A

*Standard Test Conditions : 1000W/m² irradiance, 25°C and AM = 1.5

High performance

25 25 Years
linear performance

10 10 Years
product warranty

