

Datasheet

Crystalline PV Module

KDP220WP-250W



220 225 230 235 240 245 250

ELECTRICAL SPECIFICATIONS

STC rated output (P_{mpp})	220 Wp	225 Wp	230 Wp	235 Wp	240 Wp	245 Wp	250 Wp
PTC rated output	199.9 Wp	204.6 Wp	209.2 Wp	213.9 Wp	218.5 Wp	223.2 Wp	227.9 Wp
Standard sorted output	$(P_{mpp} + 5 \text{ Wp}) > P_{flash} \geq P_{mpp}$						
Measurement tolerance	+/- 3%	+/- 3%	+/- 3%	+/- 3%	+/- 3%	+/- 3%	+/- 3%
Warranted power output STC ($P_{mpp \text{ min}}$)	220 Wp	225 Wp	230 Wp	235 Wp	240 Wp	245 Wp	250 Wp
Rated voltage (V_{mpp}) at STC	28.02 V	28.40 V	28.78 V	29.16 V	29.54 V	29.92 V	30.30 V
Rated current (I_{mpp}) at STC	7.86 A	7.92 A	7.99 A	8.06 A	8.13 A	8.20 A	8.27 A
Open circuit voltage (V_{oc}) at STC	36.92 V	37.14 V	37.35 V	37.56 V	37.77 V	37.98 V	38.19 V
Short circuit current (I_{sc}) at STC	8.46 A	8.49 A	8.53 A	8.56 A	8.59 A	8.62 A	8.65 A
Module efficiency	13.4%	13.7%	14.0%	14.3%	14.6%	14.9%	15.2%
Rated output (P_{mpp}) at NOCT	165.0 Wp	168.8 Wp	172.5 Wp	176.3 Wp	180.0 Wp	183.8 Wp	187.5 Wp
Rated voltage (V_{mpp}) at NOCT	25.36 V	25.74 V	26.08 V	26.42 V	26.75 V	27.06 V	27.37 V
Rated current (I_{mpp}) at NOCT	6.51 A	6.56 A	6.61 A	6.67 A	6.73 A	6.79 A	6.85 A
Open circuit voltage (V_{oc}) at NOCT	33.73 V	33.93 V	34.12 V	34.31 V	34.50 V	34.70 V	34.89 V
Short circuit current (I_{sc}) at NOCT	7.12 A	7.15 A	7.18 A	7.21 A	7.23 A	7.26 A	7.28 A

Temperature coefficient α (P_{mpp})	- 0.469%/K
Temperature coefficient β (I_{sc})	+ 0.052%/K
Temperature coefficient δ (I_{mpp})	- 0.008%/K
Temperature coefficient ϵ (V_{mpp})	- 0.463%/K
Temperature coefficient \times (V_{oc})	- 0.344%/K
Normal operating cell temperature (NOCT)	43°C

Maximum system voltage SCII	1000 Vdc
Maximum system voltage NEC	600 Vdc
Number of diodes	6
Maximum series fuse rating	15 A



KD ENERGY

QUALIFICATION AND WARRANTIES

Product standard	IEC 61215, 61730
Extended product warranty	5 years
Output warranty of 90% performance P_{mpp} (STC)	10 years
Output warranty of 80% performance P_{mpp} (STC)	25 years

CELL TECHNOLOGY

Cell type	polycrystalline
Number of cells / cell arrangement	60 / 6 x 10
Cells dimension	6"

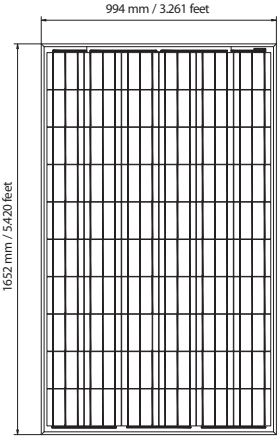
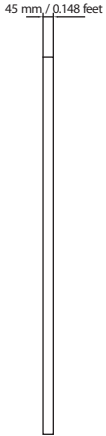
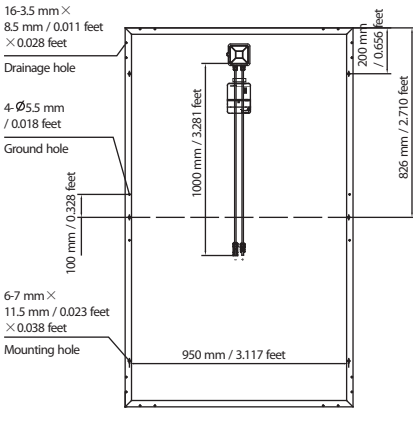
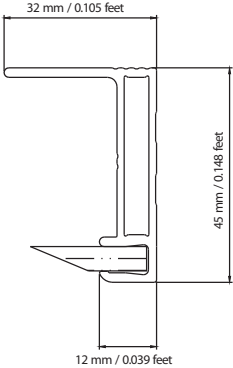
MECHANICAL SPECIFICATIONS

Outer dimensions (L x W x H)	1652 x 994 x 45 mm 65.04 x 39.13 x 1.77 in
Frame technology	Aluminum, silver anodized
Module composition	Glass / EVA / Backsheet (white)
Weight (module only)	20 kg / 44.0 lbs
Front glass thickness	3.2 mm / 0.13 in
Junction Box IP rating	IP 65
Cable length / diameter (UL)	1000 mm / 39.37 in / 12 AWG
Cable length / diameter (IEC)	1000 mm / 39.37 in / 4 mm ²
Maximum load capacity	5400 Pa
Fire class	C
Connector type (UL)	Multi contact type 4
Connector type (TUV)	MC type 4 compatible

MISCELLANEOUS

Packing unit	22 modules
Weight of packing unit	480 kg / 1056 lbs

MODULE DIMENSION DETAILS

Front view	Side view	Back view	Frame cross section
			

Specifications and designs included in this datasheet are subject to change without notice.