



## Efficient Module

**72pieces**

Mono-crystalline Module

**330-370W**

Power Output Range

**19.1%**

Maximum Efficiency

**0~+5W**

Power Tolerance

### Product Specifications Book

Ideal for large scale installations

- High power footprint reduces installation time and BOS costs
- 1500V UL/1500V IEC certified

One of the industry's most trusted modules

- Field proven performance
- Strong, reliable supplier

Highly reliable due to stringent quality control

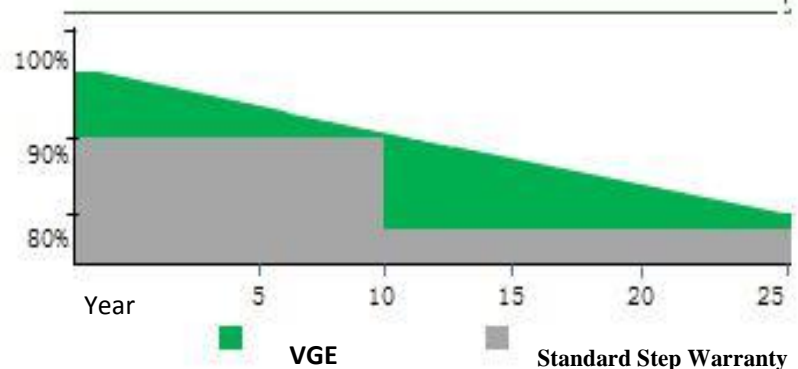
- Over 30 in-house tests (UV, TC, HF, and many more)
- In-house testing goes well beyond certification requirements
- 100% EL double inspection

Certified to withstand challenging environmental conditions

- 2400 Pa wind load
- 5400 Pa snow load
- 35 mm hail stones at 97 km/h
- PID resistant

### LINEAR PERFORMANCE WARRANTY

10 Year Product Warranty-25 Year Linear Power Warranty



### VGE-M156-72

#### Electrical Specifications (standard test conditions)

Maximum Power -P <sub>MAX</sub> (Wp)	330	335	340	345	350	355	360	365	370
Power Tolerance -P <sub>MAX</sub> (W)	0 ~ +5%								
Maximum power point of operating voltage-P <sub>MPP</sub> (V)	37.7	37.9	38.2	38.4	38.5	38.7	38.9	39.1	39.3
Maximum power point of operating current) -I <sub>MPP</sub> (A)	8.78	8.84	8.90	9.00	9.09	9.17	9.26	9.35	9.44
Open circuit voltage -V <sub>oc</sub> (V)*	44.28	46.30	46.5	46.7	46.9	47.0	47.2	47.3	47.5
Short circuit current - IM (A)	9.34	9.36	9.45	9.50	9.60	9.69	9.79	9.88	9.97
Module Efficiency $\eta_m$ (%)	17.0	17.3	17.5	17.8	18.0	18.3	18.5	18.8	19.1

Standard test conditions under Measured Value:( air quality AM1.5, Irradiance 1000W / m<sup>2</sup> cell temperature 25 °C)

#### Electrical Index (under nominal operating cell temperature conditions)

Maximum Power -P <sub>MAX</sub> (Wp)	246	250	253	257	261	264	268	272	276
Maximum power point of operating voltage -P <sub>MPP</sub> (V)	34.9	35.1	35.2	35.5	35.6	35.8	35.9	36.1	36.3
Maximum power point of operating current) -I <sub>MPP</sub> (A)	6.89	7.11	7.19	7.25	7.33	7.40	7.47	7.54	7.61
Open circuit voltage -V <sub>oc</sub> (V)*	41.1	43.1	43.2	43.4	43.5	43.7	43.8	43.9	44.0
Short circuit current - IM (A)	7.50	7.56	7.63	7.67	7.75	7.82	7.88	7.92	7.98

NOCT: Irradiance 800W / m<sup>2</sup> ambient temperature of 20 °C, wind speed 1m / s

#### Temperature Rating

	Limit parameter	
Nominal Operating Cell Temperature (NOCT)	44 °C (±2 °C)	Working Temperature -40~+85 °C
Maximum power (P <sub>MAX</sub> ) Temperature Coefficient	- 0.39%/ °C	Maximum system voltage 1500V DC (IEC)
Open-circuit voltage (VOC) Temperature Coefficient	- 0.29%/ °C	1500V DC (UL)
Short circuit current (ISC) Temperature Coefficient	0.05%/ °C	Maximum fuse rated Current 15A

#### Mechanical Specifications

Solar cell Type	156.75mm ×156.75mm Mono-crystalline
Number of Cells	1 module 72pieces (6 ×12)
Dimensions	1956 × 992 ×40 mm
Weight	22.5 kg-26kg(glass 3.2/4.0mm)
Glass	3.2mm/4.0mm, High transparency, anti-reflective coatings toughened glass
Backsheet	White/black
Frame	Silver, anodized aluminum
Junction Box	Protection level IP 68
Cable	4.0 mm <sup>2</sup> 1200 mm Photovoltaic dedicated cables
Connector	MC4 compatible

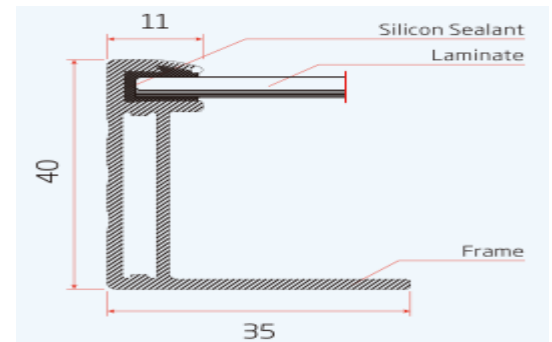
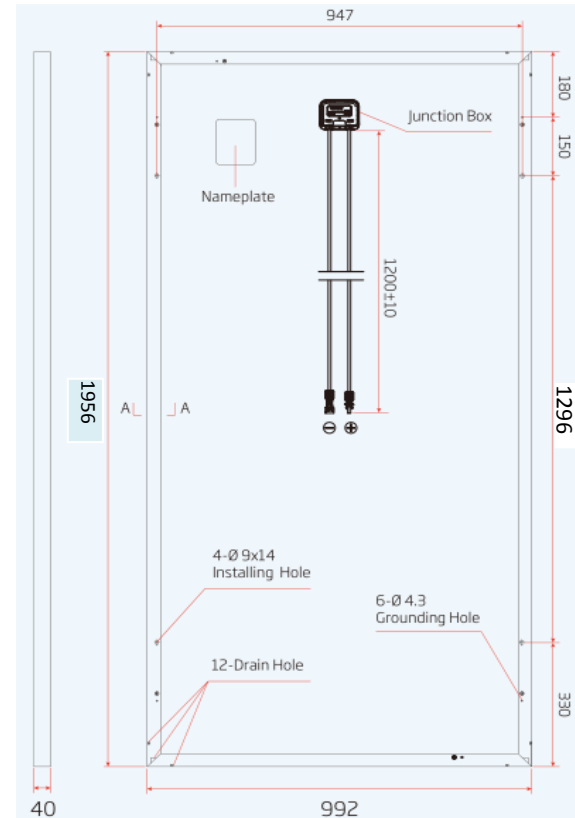
#### P72 Module Packing

Name	Dimensions (mm)	Weight (kg)
Pallet	1995*1120*145mm	25
Carton Box(26pcs)	1992*1114*1000mm	12
Carton Box (2pcs)	1975*1000*90mm	2.5

Maximum stacking height of P72 Module Packing: 26 pcs per box allow stacking of the same 26 pcs box, Plus 2 boxes per box 2pcs;

26 pcs single pallet dimension height: 1145mm Weight: 713KG

Height of 2 pallet stacking 2 pallet per box 2pcs: 2470mm Weight: 1510KG



#### Warranty

10-year warranty for product

25-year warranty for linear power

\*Please refer to product warranty for details

#### Packaging Method

Modules per box:26 pcs

Modules per 40 ft container: 624 pcs

\* Installation depends on the mechanical load