

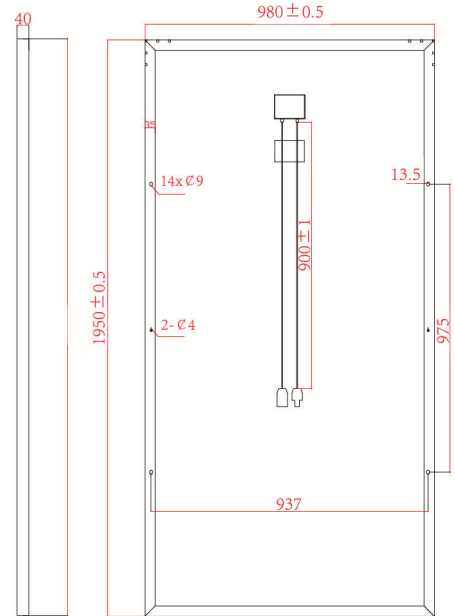
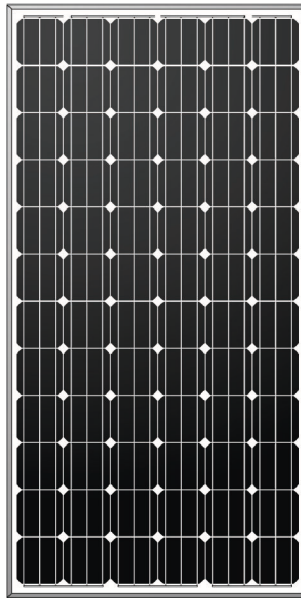
MONOCRYSTALLINE SOLAR PANEL 300W/310W/320W/330W/340W

MECHANICAL PARAMETERS

·Cell (mm)	Mono 156*156
·Number of Cells	72 (6X12)
·Output Cables	4mm ² , 900mm length
·Connectors	MC4 Compatible
·Junction Box	IP65
·Dimension	1950*980*40mm
·Weight	25Kg

WORKING CONDITIONS

·Max System Voltage	1000VDC
·Working Temperature	-40°C to +85°C
·Maximum Series Fuse	15A
·Max Wind Load	2400Pa
·Max Snow Load	5400Pa
·NOCT	45±2°C
·Application Class	Class A



ELECTRICAL PARAMETERS

	300W	310W	320W	330W	340W
·Peak Power at STC (Pmax/W)	300W	310W	320W	330W	340W
·Maximum Power Voltage(Vmp/V)	36.28	36.93	37.04	37.15	37.35
·Maximum Power Current(Imp/A)	8.28	8.4	8.64	8.89	9.11
·Open Circuit Voltage(Voc/V)	44.6	45.42	45.54	45.58	45.86
·Short Circuit Current (Isc/A)	8.74	8.86	9.12	9.37	9.55
·Power Tolerance	±3%				
·Maximum System Voltage	1000VDC				
·Temperature Coefficient of Pm	-0.41%/°C				
·Temperature Coefficient of Voc	-0.33%/°C				
·Temperature Coefficient of Isc	+0.049%/°C				
·Standard Test Condition (STC)	1000W/m ² , 1.5 AM spectrum 25 °C cell temperature				

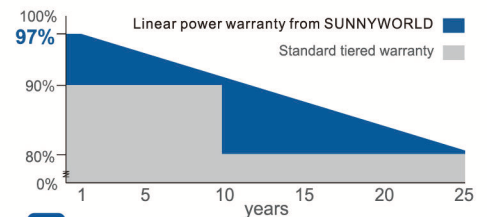
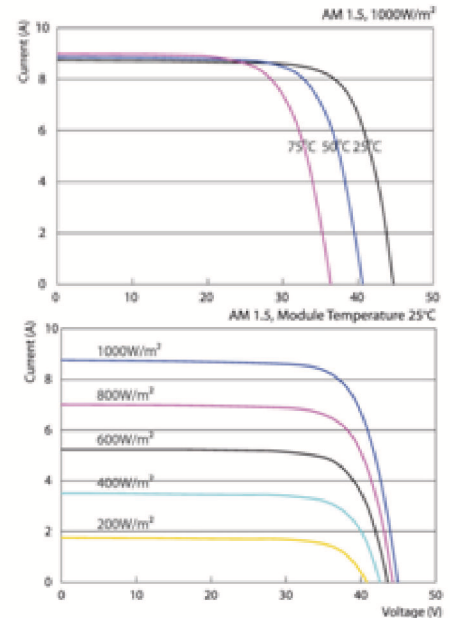
NOCT (Under Normal Operating Cell Temperature, Irradiance of 800 W/m², spectrum AM 1.5, ambient temperature 20°C, wind speed 1 m/s)

	300W	310W	320W	330W	340W
·Peak Power at NOCT (Pmax/W)	218.6	225.9	239.9	240.5	248.3
·Maximum Power Voltage(Vmp/V)	33.23	33.83	33.93	34.02	34.3
·Maximum Power Current(Imp/A)	6.58	6.68	6.87	7.07	7.24
·Open Circuit Voltage(Voc/V)	40.9	41.8	41.9	41.93	42.2
·Short Circuit Current (Isc/A)	6.99	7.09	7.29	7.5	7.65

PACKING CONFIGURATION

·Container	20GP	40HQ
·Pieces per pallet	26	26
·Pieces per Container	260	572

I-V CURVE(300W)



25 25-year power warranty

*Based on customer's requirements and contract terms

