

# Photovoltaic Module

## Polycrystalline

### GS-80P



### Quality and Safety

- \*Rigorous quality control meeting the highest international standards
- \*High-transmissivity low-iron tempered glass, strong aluminium frame Using UV-resistant silicon
- \*Safety Class II,conformity to CE

### Features

- \*Aesthetic appearance with excellent efficiency based on innovative photovoltaic technologies
- \*High quality,strong aluminium frame,passing mechanical load testing 5400 Pa and wind pressure 2400Pa

### Warranties

- \*10 years limited product warranty
- \*15 years at90% of the minimal rated power output
- \*25 years at80% of the minimal rated power output

### Certificates



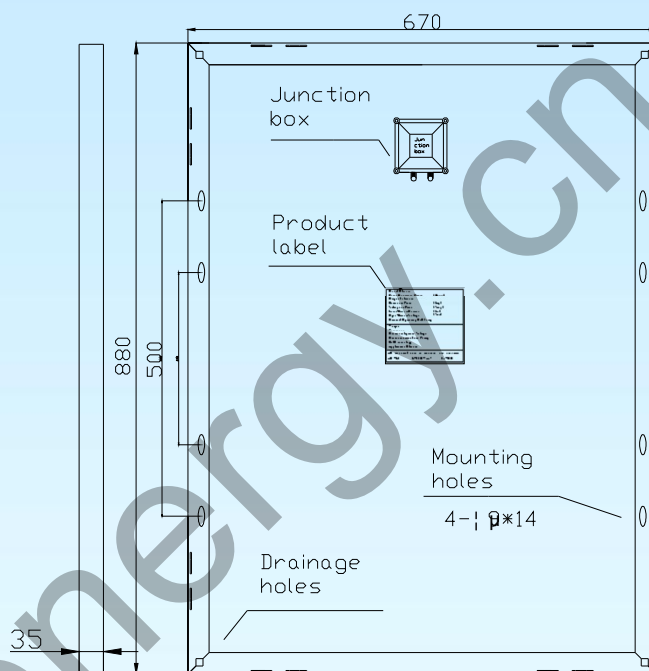
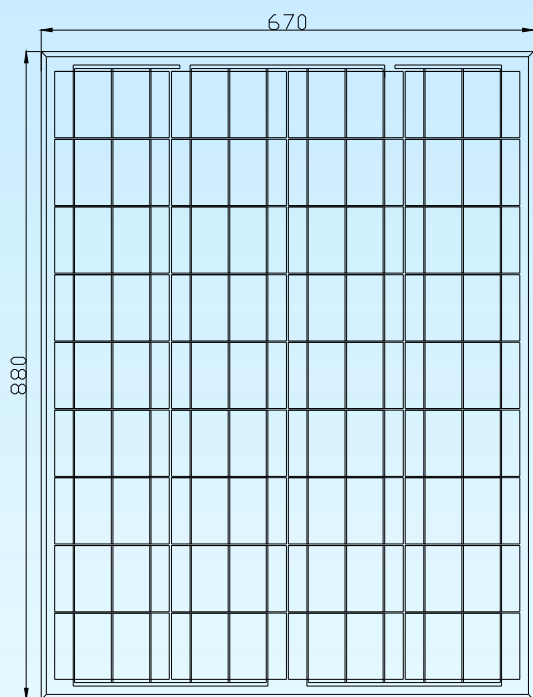
### Electrical Characteristics

Model	GS-75P	GS-80P
Maximum Power at STC (P <sub>max</sub> )	75W	80W
Optimum Operating Voltage (V <sub>mp</sub> )	17.6V	17.4V
Optimum Operating Current (I <sub>mp</sub> )	4.262A	4.598A
Open-Circuit Voltage (V <sub>oc</sub> )	21.81V	22.20V
Short-Circuit Current (I <sub>sc</sub> )	4.647A	4.869A
Solar Cell Efficiency (%)	15.13	16.40
Solar Module Efficiency (%)	12.72	13.57
Operating Temperature	-40to85℃	
Maximum System Voltage	DC1000	
Maximum Series Fuse Rating	15A	
Power Tolerance	+/-3%	
STC:Irradiance 1000W/m <sup>2</sup> ,Modules Temperature 25℃,AM=1.5		



**GREEN SOLAR**

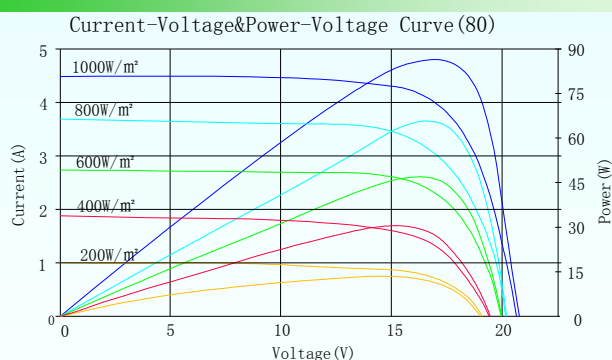
## Engineering Drawings



## Mechanical Characteristics

Solar cell	Poly-Crystalline 156*90mm
No. of cells	36(4*9)
Dimensions	880mm*670mm*35mm
Weight	7.0kg
Front glass	3.2mm tempered glass
Frame	Anodized aluminium alloy
Junction box	PV-LH0808
Connector	/
Output cables	/
1*20'	/
1*40'	/
1*40'HQ	/

## IV-Curves



## Temperature Coefficient

Nominal Operating Cell Temperature (NOCT)	47°C ± 2°C
Temperature Coefficient of Pmax	-0.47%/K
Temperature Coefficient of VOC	-0.351%/K
Temperature Coefficient of ISC	+0.035%/K