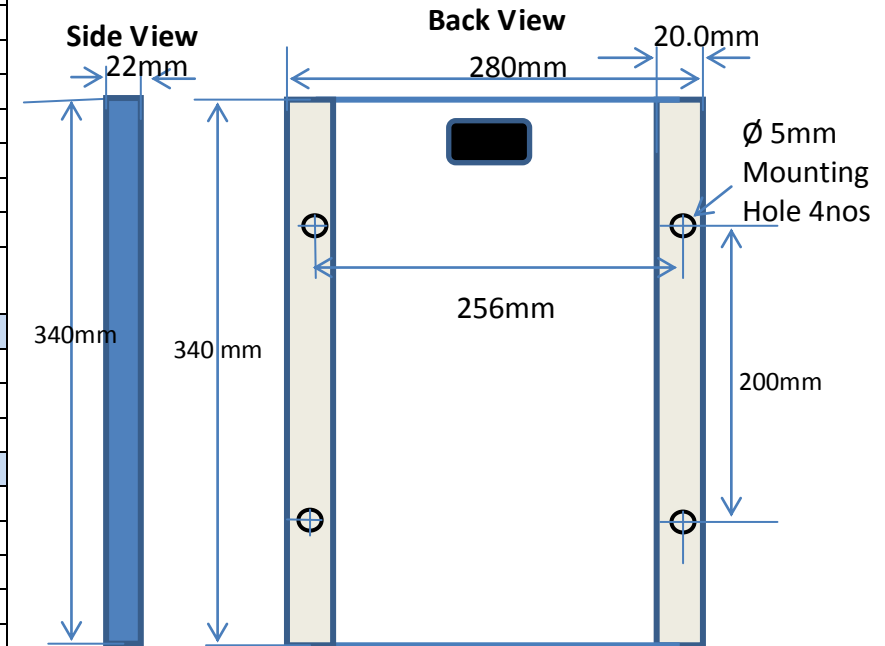




<b>Model No.</b>	<b>ASL-S1012</b>
<b>ELECTRICAL CHARACTERISTIC</b>	
Nominal Power at STC, (Pmax)	10 WP
Maximum Voltage at Pmax, (Vmp)	18.0 V DC
Maximum Current at Pmax, (Imp)	0.556 A
Open Circuit Voltage, (Voc)	21.6 DC
Short Circuit Current, (Isc)	0.622 A
Max. System Voltage	1000V DC
Nominal Operating cell temperature (NOCT)	47°C ± 2°C
Temperature coefficient- power	0.00157%/°C
Standard Test Condition	Irradiance 1000W/m <sup>2</sup> , Module temperature at 25° C and AM 1.5
<b>CELL CHARACTERISTIC</b>	
Type of Solar Cell	Mono / Poly Crystalline, 156x156mm±0.5mm
Number of Cells /Cell Size	36 / 32X52 mm
Arrangement of Cells	6x6
<b>MECHANICAL CHARACTERISTIC</b>	
Frame	Anodized Aluminum alloy
Ground Hole	N/A
Drain Holes	N/A
Front Glass	3.2mm Low Iron, Tempered and Textured Glass
Type of Junction Box	IP65, 2 Terminal Polycarbonate
Primary Packing Box Dimension (LWH)	350x35x352mm
Number of Module per Secondary Box	20 in one
Secondary Packing Box Dimension (LWH)	760x370x382mm
Weight of Individual Module	1.26 Kgs
Weight of Secondary Box with Module	33.35 Kgs
<b>TOLERANCE</b>	
Power	±5% under STC
Electrical Parameters	±10% under STC
Physical Dimension	±3mm
Weight	±5%

## PHOTOVOLTAIC MODULE DATA SHEET



### Mechanical Dimension:

Module Dimension in mm		Mounting Dimension in mm	
Length	340	Length	200
Width	340	Width	316
Channel Thickness	22	Pitch Hole	Ø5
Module Dimension Tolerance ± 3mm			

- Notes:**
- Performance parameters are under Standard Test Conditions (STC) @ 1000W/m<sup>2</sup>, (AM 1.5, 25° C)
  - Max. System Voltage (V DC): As per IEC 61215 Ed.2 1000V & UL 1703 600V
  - Model No. Nomenclature: "ASL" "Stands for Access solar limited", "S" for "Small power series", "R" for "RDSO" series and "P" for "High power Series"
  - Due to continuous development and product improvement, Company reserves the right to change / alter the specifications without any prior notice

Prepared By:

Approved By: