



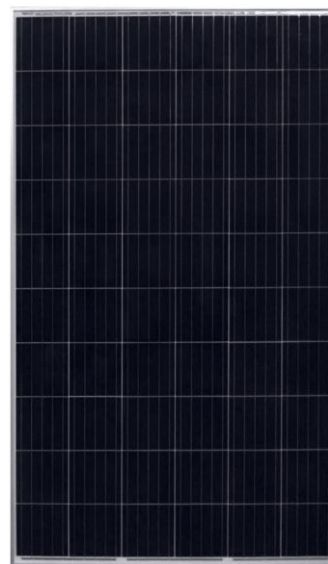
## Polycrystalline Module Models

GP-280P-60    GP-270P-60    GP-260P-60

## Electrical Specifications

\*STC : Irradiance 1000W/m<sup>2</sup>, AM1.5 spectrum, module temperature 25°C

Model type	GP-280P-60	GP-270P-60	GP-260P-60
Peak power (Pmax)	280W	270W	260W
Cell Efficiency	19.94%	19.23%	18.52%
Maximum power voltage (Vmp)	32.8V	32.2V	31.8V
Maximum power current (Imp)	8.54A	8.39A	8.17A
Open circuit voltage (Voc)	38.7V	38.2V	37.6V
Short circuit current (Isc)	8.98A	8.87A	8.69A
Power Tolerance		±3%	
Maximum system voltage		1000V	
Series fuse rating (A)		12	
Number of bypass diode		3/6	



## Temperature Coefficients

Current Temperature Coefficient	$\alpha(I_{sc})$	0.08%/°C
Voltage Temperature Coefficient	$\beta(V_{oc})$	-0.32%/°C
Power Temperature Coefficient		-0.38%/°C
Nominal Temperature Of Cells(NOTC)		46±2°C
Application Temperature Range		-40~+85°C

## Mechanical Characteristics

Dimensions:	1640 x 990 x 35 mm (64.57x38.98x1.378 inch)
Weight:	17.5 kg (38.85 lbs)
Solar Cells:	60 cells in series(6 x 10)
Construction:	High-transmission low-iron tempered glass , EVA, TPT/TPE
Frame:	Anodized aluminum is mainly for improving corrosion resistance. Color: silver

## Output

Cable	LAPP(4 mm <sup>2</sup> )
Lengths	900mm(-) and 900mm(+)
Connector	MC Plug Type IV

## Module Warranty:

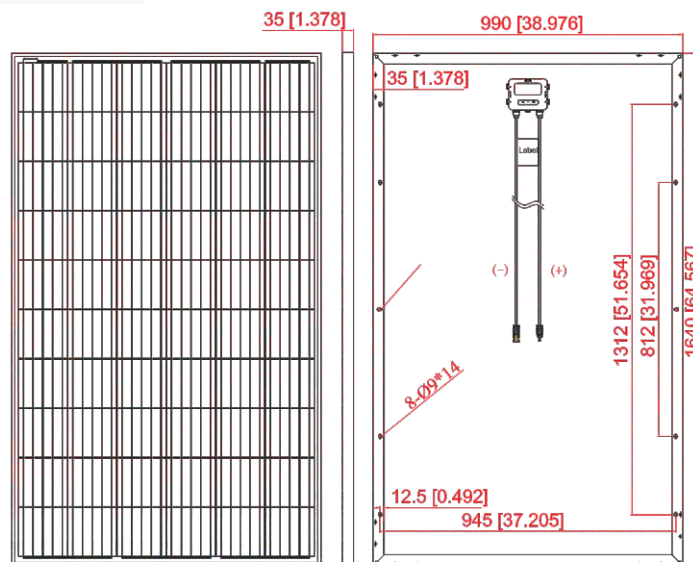
25-year limited warranty of 80% power output;

10-year limited warranty of 90% power output;

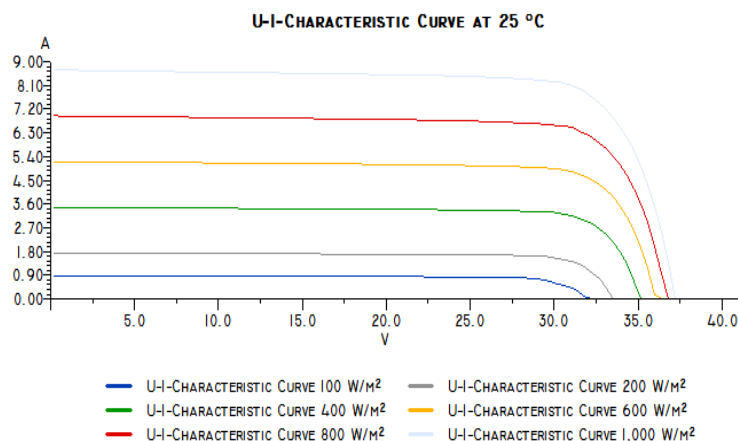
10-year limited warranty of materials and workmanship.

**Note:** This publication summarizes product warranty and Specifications which are subject to change without notice

Product photos are for reference only, on behalf of actual product.



Module Diagram



## Electrical Performance