

Sunny Apex

75W Solar Module

High Power Series

Key Features

Reduce hot spot effect and enhance modules performance

High module conversion efficiency above 18%

Innovative production process to ensure reliability and durability

Product is certified to IEC 61215 and 61730 by TÜV

Electrical Specifications

Model Type	GW-E075A
Peak Power (Pmax)	75W
Module Efficiency	18.00%
Maximum Power Voltage (Vmp)	18.2V
Maximum Power Current (Imp)	4.13A
Open Circuit Voltage (Voc)	22.5V
Short Circuit Current (Isc)	4.28A
Power Tolerance	- 1W ~ + 4.99W
Maximum System Voltage	1000V
Normal Operating Cell Temp.	45 °C (+/- 2)

Mechanical Specifications

Cell type	Mono-crystalline
Dimensions	1031 x 405 x 35mm [40.59 x 15.94 x 1.38in]
Weight	6kg [13.23lbs]
Frame	anodized aluminum
Junction Box	IP 67 waterproof
Cables	4.00mm ² , 1000mm
Connectors	MC4 compatible

Temperature Coefficients

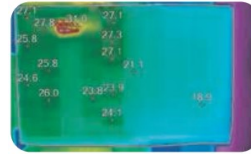
Power	-0.365%/ °C
Voltage (Voc)	-0.28%/ °C
Current (Isc)	+0.05%/ °C

Brand	GWSOLAR
-------	---------

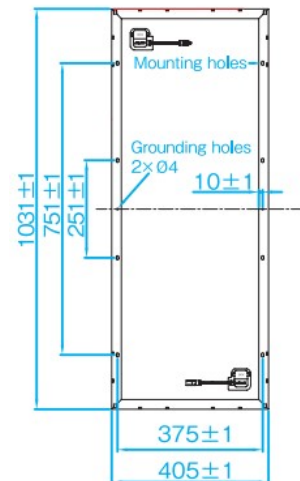
Warranties & Certifications

Warranties	2 years product warranty, 25 years limited power warranty of 80% of the minimum specified power rating
Certificates	IEC 61215, 61730

5 Hours Shading Test



Maximum Value 47.3°C
Average Value 23.9°C
Minimum Value 15.6°C



Unit: mm



Note: All electrical parameters are rated at standard test conditions (irradiance of 1000W/m², AM 1.5G, cell temp. 77°F/25°C)
Caution: Read Safety and Installation Instruction before using this product.

2018 Sunny Apex Development Ltd. All right reserved. Specifications included in this datasheet are subject to change without notice.

[GWSOLAR CORP.](#) | [Hong Kong Agent](#)

Sunny Apex Development Limited

www.sunnyapex.com

25/F Grandion Plaza, 932 Cheung Sha Wan Road, Kowloon, Hong Kong | T: +852-6983 7178 | F: +852-3186 2200 | info@sunnyapex.com