



LEAPTON
SOLAR

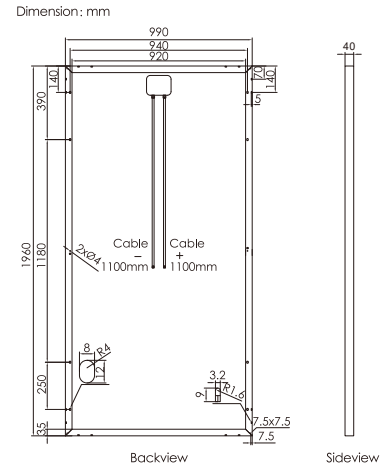
LP156x156-M-72

Rated Power 340-370W



Monocrystalline

Polycrystalline



Product Series	LP156*156-M-72						
Maximum Rated Power	340W	345W	350W	355W	360W	365W	370W
Open Circuit Voltage	46.60V	46.80V	47.25V	47.46V	47.67V	47.88V	48.09V
Short Circuit Current	9.49A	9.56A	9.60A	9.68A	9.76A	9.84A	9.92A
Maximum Power Voltage	38.20V	38.40V	38.60V	38.80V	39.00V	39.20V	39.40V
Maximum Power Current	8.90A	8.99A	9.07A	9.15A	9.24A	9.31A	9.39A
Module Efficiency	17.5%	17.8%	18.0%	18.3%	18.6%	18.8%	19.1%

Product Characteristics

Weight	21.5kg	Junction Box	IP67
Module Size	1960*990*40mm	Frame	Aluminum Alloy
Cell Amount	72 pcs of monocrystalline	Cable	4mm ² , Length>900mm
Cell Size	156*156mm	Connection	(Compatible with) MC4
Maximum System Voltage	1500V	Application Level	Class A

Temperature Characteristics

NOCT	45±2°C
Temperature Coefficient of Short Circuit Current	+0.06%/°C
Temperature Coefficient of Open Circuit Voltage	-0.3%/°C
Temperature Coefficient of Maximum Power	-0.40%/°C

Maximum Ratings

Output Tolerance	0~+3%
Operating Temperature	-40°C~+85°C
Wind Load / Snow Load	2400pa/5400pa
Fuse Current	15A



- 10-YEAR 90% Maximum Output
- 25-YEAR 80% Maximum Output



J-PEC Product



- Salt Spray Certificate
- Ammonia Certificate
- IEC61701
- IEC62716



TÜV PID Certificate

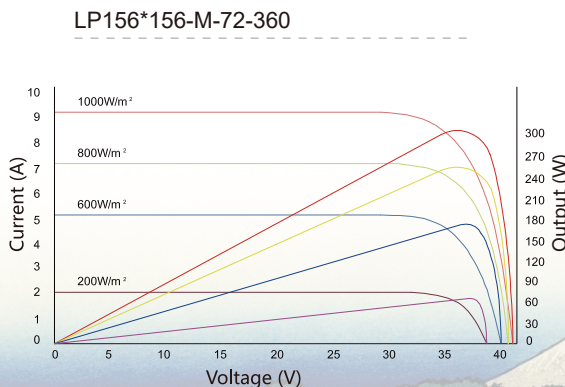


- TÜV Certificate
- IEC61215:2016
- IEC61730:2016

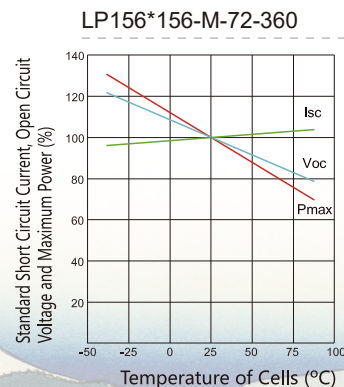


Maximum System Voltage

Current-Voltage Curve at Various Light Levels



Output at Various Temperatures



Leapton Energy Co., Ltd.
HEAD OFFICE, Kobe, JAPAN

Tosei Bldg.6F,1-2-1,Aioi-cho,
Chuo-ku,Kobe-shi,
Hyogo 650-0025,Japan

PV Module Manufacturer
Leapton Solar (Changshu) Co.,Ltd.

No.55,Sunshine Avenue,Changshu City,
Jiangsu, China

www.leaptonpv.com
info@leaptonenergy.com