

# Phono<sup>®</sup> Solar

## MWT Module

Perc/360-380W

**20W**

### Higher Efficiency

20W+ higher rated power more than common module



### Excellent Reliability

No soldering, avoiding mechanical stress, cold soldering, Micro-crack

**0 to +5W**

### Plus Power Tolerance

0~+5W Power Tolerance Max Power Output



### No PID

With specific treatment, PV module passed strict PID test, no PID risk



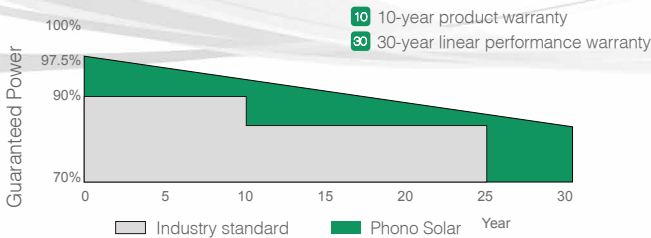
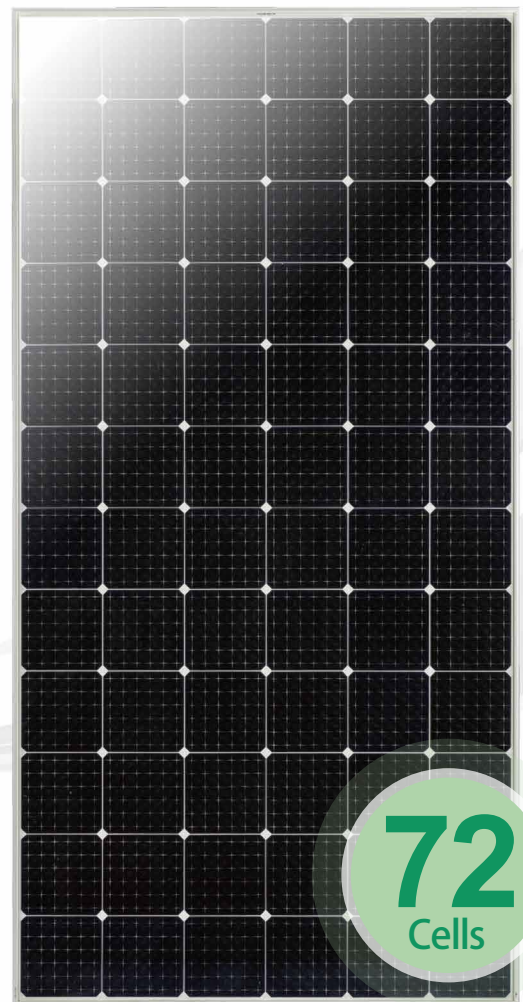
### Unique Appearance

Specially designed grid feature, nick-looking

Bloomberg Tier1  
NEW ENERGY FINANCE



TOP PERFORMER



EN EN-20180828

**SINOMACH | SUMEC**  
SUMEC GROUP CORPORATION

## ELECTRICAL TYPICAL VALUES

Model	PS360M-24/TM	PS365M-24/TM	PS370M-24/TM	PS375M-24/TM	PS380M-24/TM
Type	Monocrystalline 6 inch x 6 inch square, 6 × 10 pieces in series				
Rated Power (Pmpp)	360W	365W	370W	375W	380W
Tolerance	0~+5w				
Rated Current (Impp)	9.28	9.32	9.36	9.43	9.48
Rated Voltage (Vmpp)	38.80	39.20	39.70	40.10	40.60
Short Circuit Current (Isc)	10.05	10.15	10.22	10.27	10.31
Open Circuit Voltage (Voc)	47.40	47.60	47.90	48.10	48.40
Module Efficiency (%)	18.55	18.81	19.07	19.33	19.58
NOCT (Nominal Operation Cell Temperature)	43±2°C				
Voltage Temperature Coefficient	-0.28%/°C				
Current Temperature Coefficient	+0.06%/°C				
Power Temperature Coefficient	-0.36%/°C				

## MECHANICAL CHARACTERISTICS

Length	1956mm (77.01 inch)
Dimension (L x W x H)	Width: 992mm (39.06 inch)
	Height: 40mm (1.57 inch)
Weight	22.5kg (49.60 lb)
Front Glass	3.2mm toughened glass
Frame	Anodized aluminium alloy
Cable	4mm <sup>2</sup> (IEC) , Length: 1200mm or Customized length
Junction Box	IP 67 rated

## ABSOLUTE MAXIMUM RATING

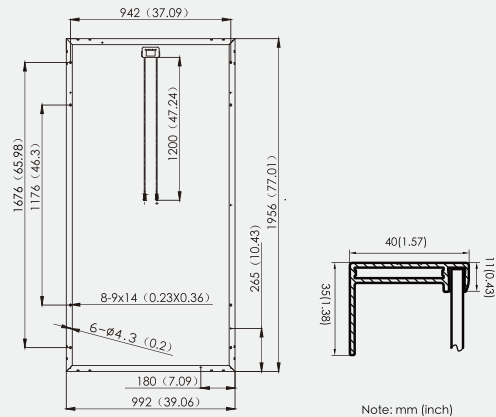
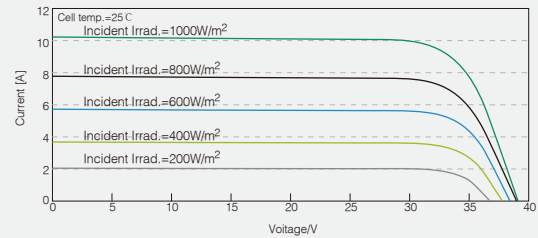
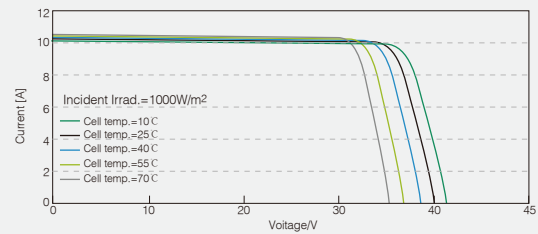
Parameter	Values
Operating Temperature	From -40 to +85°C
Hail Diameter @ 80km/h	Up to 25mm
Surface Maximum Load Capacity	Up to 5400Pa
Maximum Series Fuse Rating	15A
IEC Application Class (IEC61730)	A
Fire Rating (IEC61730)	C
Module Fire Performance (UL 1703)	Type 1
Maximum System Voltage	DC 1000V (TUV)

## PACKING CONFIGURATION

Container	20' GP	40' HQ
Pieces/Container	230	672

1. In compliance with our warranty terms and conditions.
2. Measurement conditions under irradiance level of Standard Test Conditions(STC): 1000W/m<sup>2</sup>  
Air mass 1.5 Spectrum, cell temperature of 25°C.

## ELECTRICAL CHARACTERISTICS



**Phono<sup>®</sup> Solar**

**Note:** This datasheet is not legally binding. Phono Solar Technology Co., Ltd. reserves the right to adjust specifications without notice. Further information please refer to our [Website: www.phonosolar.com](http://www.phonosolar.com), [E-mail: info@phonosolar.com](mailto:info@phonosolar.com)