

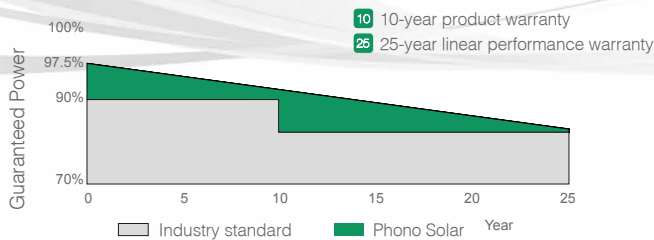
Phono[®] Solar

Smart Module



Poly/265-275W

- 25%** **Up to 25% More Energy**
Increased energy yield & faster return on investment through module-level MPPT
- Cost Efficient Maintenance**
Full visibility of system performance & remote troubleshooting
- Constraint Free Design**
Maximum space utilization with minimum design time
- Safety Guaranty**
Safety during installation, maintenance, firefighting & other emergencies



EN EN-20180815

ELECTRICAL TYPICAL VALUES

Model	PS265P-20/U	PS270P-20/U	PS275P-20/U
Type	Polycrystalline 6 inch x 6 inch square, 6 × 10 pieces in series		
Rated Power (Pmpp)	265W	270W	275W
Tolerance		0~+5w	
Rated Current (Impp)	8.77	8.86	8.93
Rated Voltage (Vmpp)	30.22	30.48	30.80
Short Circuit Current (Isc)	9.32	9.37	9.45
Open Circuit Voltage (Voc)	35.00	35.00	35.00
Module Efficiency (%)	16.29	16.60	16.90
NOCT (Nominal Operation Cell Temperature)		45.±2°C	
Voltage Temperature Coefficient		-0.31%/C for Voc ≤ 35V 0%/C for Voc > 35V	
Current Temperature Coefficient		+0.05%/°C	
Power Temperature Coefficient		-0.41%/°C	

MECHANICAL CHARACTERISTICS

Dimension (L x W x H)	Length: 1640mm (64.57 inch) Width: 992mm (39.06 inch) Height: 35mm (1.38 inch)
Weight	18kg (39.68 lbs)
Front Glass	3.2mm toughened glass
Frame	Anodized aluminium alloy
Cable	4mm ² (IEC) , Length:900mm or Customized length
Junction Box	IP 68 rated

ABSOLUTE MAXIMUM RATING

Parameter	Values
Operating Temperature	From -40 to +85°C
Hail Diameter @ 80km/h	Up to 25mm
Surface Maximum Load Capacity	Up to 5400Pa
Maximum Series Fuse Rating	15A
IEC Application Class (IEC61730)	A
Fire Rating (IEC61730)	C
Module Fire Performance (UL 1703)	Type1
Maximum System Voltage	DC 1000V (IEC)

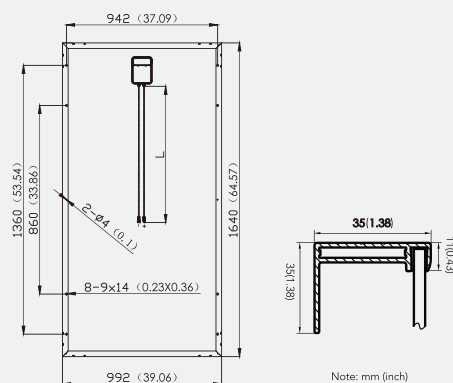
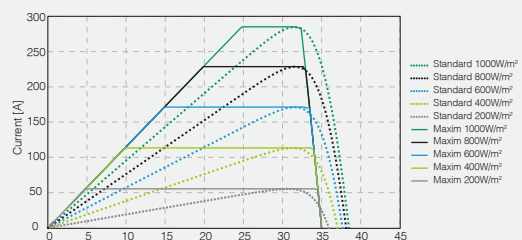
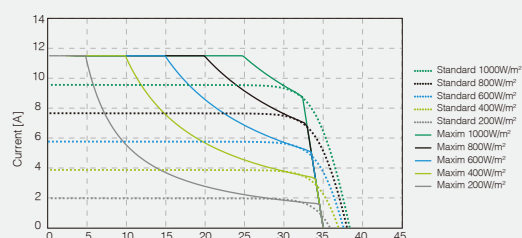
PV SYSTEM DESIGN

Design Parameter	Standard	Maxim
Min Design Temp	-28 C to +1 C	n/a
Max Voc	45.5 to 40V	35
Modules Per String	1000V	21 to 25
	1500V	32 to 37

PACKING CONFIGURATION

Container	20' GP	40' HQ
Pieces/Container	312	896

ELECTRICAL CHARACTERISTICS



Note: mm (inch)

1. In compliance with our warranty terms and conditions.
2. Measurement conditions under irradiance level of Standard Test Conditions (STC): 1000W/m²
Air mass 1.5 Spectrum, cell temperature of 25°C.



Phono[®] Solar

Note: This datasheet is not legally binding. Phono Solar Technology Co., Ltd. reserves the right to adjust specifications without notice. Further information please refer to our [Website:www.phonosolar.com](http://www.phonosolar.com), [E-mail:info@phonosolar.com](mailto:info@phonosolar.com)