

Phono[®] Solar

Smart Module



Poly/320-330W

25%

Up to 25% More Energy

Increased energy yield & faster return on investment through module-level MPPT



Cost Efficient Maintenance

Full visibility of system performance & remote troubleshooting



Constraint Free Design

Maximum space utilization with minimum design time



Safety Guaranty

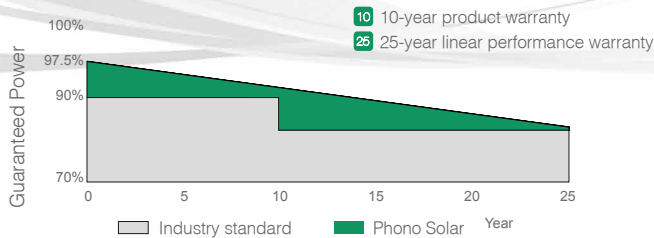
Safety during installation, maintenance, firefighting & other emergencies

Bloomberg
NEW ENERGY FINANCE

Tier1



TOP
PERFORMER



EN EN-20180815

SINOMACH | SUMEC
SUMEC GROUP CORPORATION

ELECTRICAL TYPICAL VALUES

Model	PS320P-24/T	PS325P-24/T	PS330P-24/T
Type	Polycrystalline 6 inch x 6 inch square, 6 × 12 pieces in series		
Rated Power (Pmpp)	320W	325W	330W
Tolerance	0~+5w		
Rated Current (Impp)	8.75	8.79	8.83
Rated Voltage (Vmpp)	36.58	36.98	37.38
Short Circuit Current (Isc)	9.31	9.39	9.43
Open Circuit Voltage (Voc)	40.90	40.90	40.90
Module Efficiency (%)	16.49	16.75	17.01
NOCT (Nominal Operation Cell Temperature)	45.±2°C		
Voltage Temperature Coefficient	- 0.31%/°C for Voc≤40.9V 0%/°C for Voc > 40.9V		
Current Temperature Coefficient	+0.05%/°C		
Power Temperature Coefficient	-0.41%/°C		

MECHANICAL CHARACTERISTICS

Length:	1956mm (77.01 inch)
Dimension (L× W × H)	Width: 992mm (39.06 inch) Height: 40mm (1.57 inch)
Weight	22.5kg (49.6 lbs)
Front Glass	3.2mm toughened glass
Frame	Anodized aluminium alloy
Cable	4mm ² (IEC) , Length:1100mm or Customized Length
Junction Box	IP 68 rated

ABSOLUTE MAXIMUM RATING

Parameter	Values
Operating Temperature	From -40 to +85°C
Hail Diameter @ 80km/h	Up to 25mm
Surface Maximum Load Capacity	Up to 5400Pa
Maximum Series Fuse Rating	15A
IEC Application Class (IEC61730)	A
Fire Rating (IEC61730)	C
Module Fire Performance (UL 1703)	Type1
Maximum System Voltage	DC 1000V (IEC)

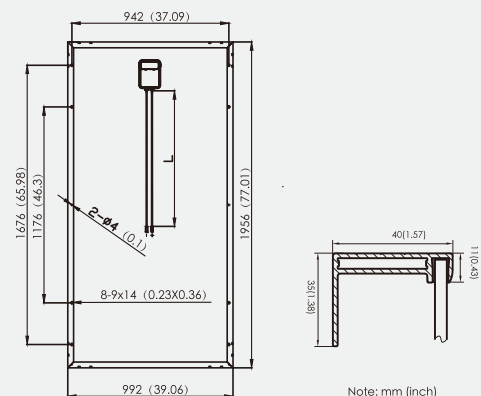
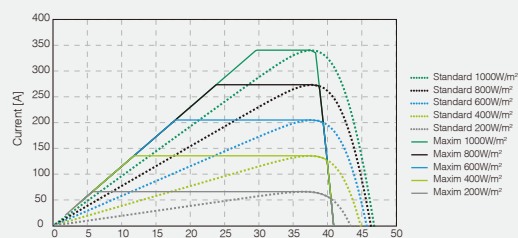
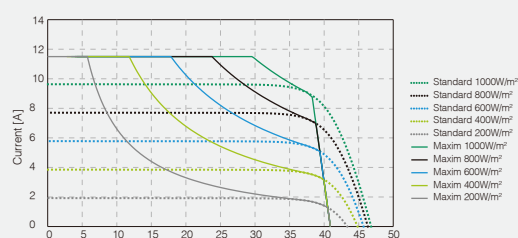
PV SYSTEM DESIGN

Design Parameter	Standard	Maxim	
Min Design Temp	-28 C to +1 C	n/a	
Max Voc	54.6 to 50.4V	40.9	
Modules Per String	1000V 1500V	18 to 20 27 to 30	24 36

PACKING CONFIGURATION

Container	20' GP	40' HQ
Pieces/Container	230	672

ELECTRICAL CHARACTERISTICS



Note: mm (inch)

1. In compliance with our warranty terms and conditions.
2. Measurement conditions under irradiance level of Standard Test Conditions (STC): 1000W/m Air mass 1.5 Spectrum, cell temperature of 25°C.



Phono[®] Solar

Note: This datasheet is not legally binding. Phono Solar Technology Co., Ltd. reserves the right to adjust specifications without notice. Further information please refer to our [Website:www.phonosolar.com](http://www.phonosolar.com), [E-mail:info@phonosolar.com](mailto:info@phonosolar.com)