

PRODUCT SPECIFICATION

Type Of Module	SY-150WP	SY-155WP	SY-160WP
Maximum Power (W)	150	155	160
Tolerance (%)	± 3%	± 3%	± 3%
Open Circuit Voltage (V)	22.5	22.7	22.9
Short Circuit Current (A)	8.56	8.75	8.94
Maximum Power Voltage (V)	18.5	18.6	18.8
Maximum Power Current (A)	8.11	8.33	8.51
Module Efficiency (%)	15.1	15.6	16.1
Solar Cell Efficiency (%)	17.2	17.8	18.4
Series Fuse Rating (A)	15	15	15
Terminal Box	IP65	IP65	IP65
Maximum system voltage (V)	DC1000	DC1000	DC1000
Operating Temperature(°C)	-40°C -- 85°C	-40°C -- 85°C	-40°C -- 85°C

PRODUCT FEATURE

- Bypass diode minimizes the power drop by shade.
- The conversion efficiency of solar cell is above 17%.
- White tempered glass ,EVA resin,weather proof film and anodized aluminum frame to provide efficient protection from the severest environmental conditions.
- Waterproof.Perfect for grid applications.
- Product guarantee 10 years.

Quality Assurance

- Electrical Insulation test
- Outdoor exposure test
- Hot-spot endurance test
- UV-exposure
- Thermal cycling test
- Humidity freeze test
- Damp heat Test
- Robustness of terminations test
- Wet leakage current test
- Mechanical load test
- Hail impact test
- Bypass diode thermal test

Electric Performance Typical Performance Characteristics

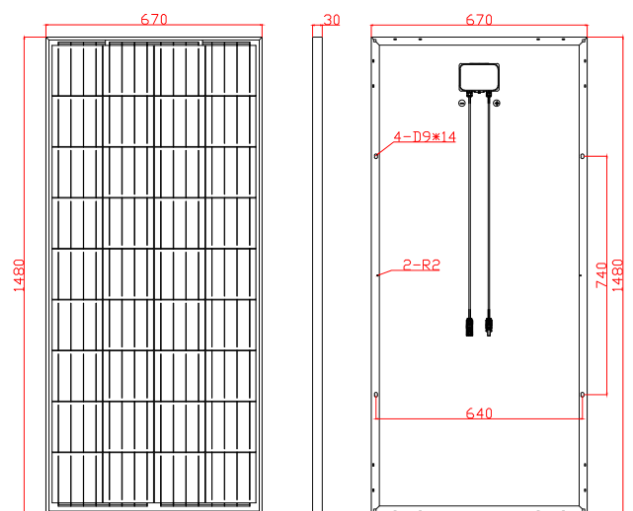
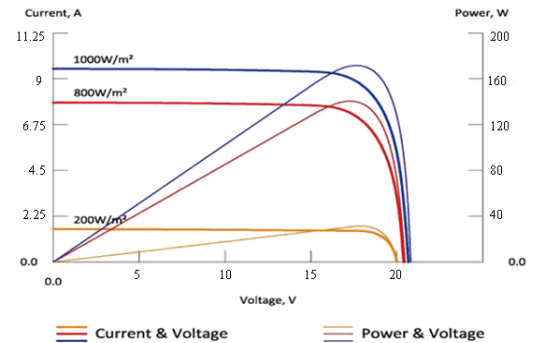
Short Circuit Current Temperature Coefficient	%/°C	0.06
Open Circuit Voltage Temperature Coefficient	%/°C	-0.34
Maximum Power Temperature Coefficient	%/°C	-0.47
Performance Warranty : 90%output , 12 years		
80%output, 25 years		

Physical Specifications

Dimension: 1480*670*30MM
 Weight: 10.2 KG/PCS
 Packing : 2 pcs in one carton

Electrical Characteristics

Current-Voltage & Power-Voltage characteristics various irradiance levels



SHENZHEN SUOYANG NEW ENERGY CO.,LTD.

ADD.: No.5 Building,Juhui Mold Industrial area,Tianliao Road,Guangming New Districte ,Shenzhen ,China

Tel: +86- 755 3369 9192 -8004 Fax: +86-755 3369 9194

Website: www.szuoyang.com