



Bifacial Solar Panel

<p>SR-M660B</p> <p>290~310W</p>	<p>SR-M660290B</p> <p>SR-M660295B</p> <p>SR-M660300B</p> <p>SR-M660305B</p> <p>SR-M660310B</p>
---------------------------------	--



0~3% positive tolerance



3.2mm high transmission,
low iron tempered AR glass



Better performance under
low light environment



Withstand wind loads
up to 2400Pa and snow
loads up to 5400Pa

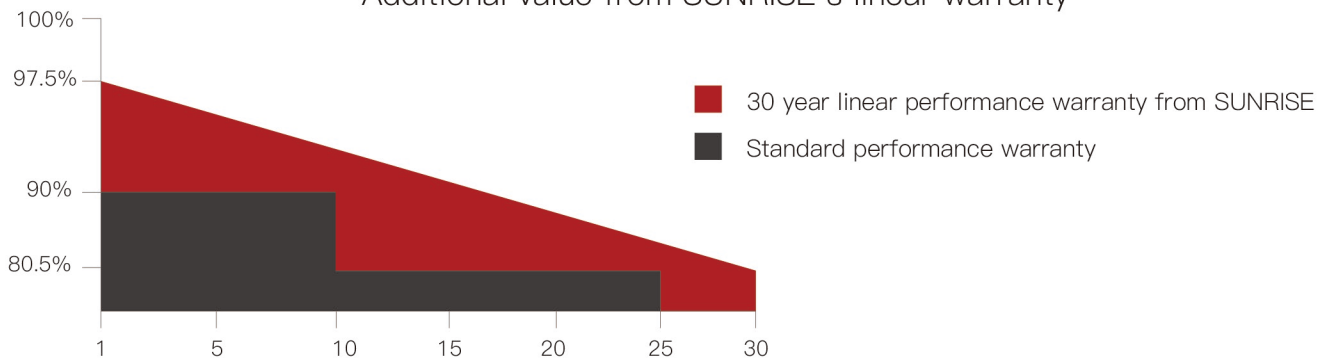


30 year leading linear
performance warranty



PID-free

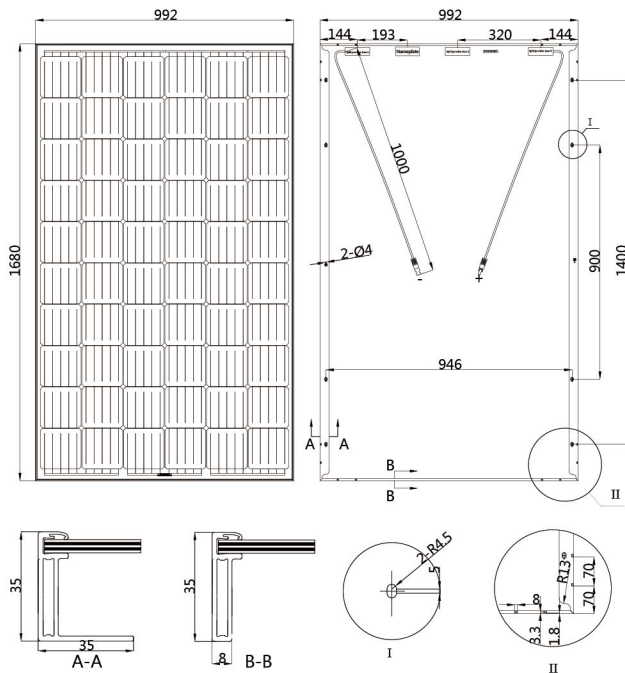
Additional value from SUNRISE's linear warranty



Module Type		SR-M660290B		SR-M660295B		SR-M660300B		SR-M660305B		SR-M660310B	
Test Environment		STC	NOCT	STC	NOCT	STC	NOCT	STC	NOCT	STC	NOCT
Tolerance	(%)	0~+3		0~+3		0~+3		0~+3		0~+3	
Module Efficiency	(%)	17.83		18.13		18.44		18.75		19.1	
Maximum Power	Pmax(W)	290	215	295	219	300	222	305	226	310	230
Open Circuit Voltage	Voc(V)	39.5	37.3	39.7	37.5	39.9	37.7	40.1	37.9	40.3	38.1
Short Circuit Current	Isc(A)	9.68	7.86	9.75	7.92	9.85	8	9.96	8.09	10.05	8.16
Maximum Power Voltage	Vm(V)	32.5	30.1	32.7	30.3	32.9	30.4	33.1	30.6	33.3	30.8
Maximum Power Current	Im(A)	8.97	7.29	9.03	7.34	9.12	7.42	9.22	7.5	9.31	7.57
Cell Type	(mm)	156.75×156.75(Bifacial Mono-Crystalline Silicon)									
Number of Cells	(Pcs)	60(6×10)									
Maximum System Voltage	(V)	DC1000									
Temp. Coeff. of Voc	(%/°C)	-0.35									
Temp. Coeff. of Isc	(%/°C)	0.05									
Temp. Coeff. of Pm	(%/°C)	-0.45									
Operating Temperature	°C	-40 to 85									
Nominal Operating Cell Temperature (NOCT)	°C	45±2									
Max. Series Fuse	(A)	15									
Pressure Bearing	(Pa)	5400									
Wind Bearing	(Pa)	2400									

STC:Irradiance 1000W/m², Cell temperature 25 °C, AM1.5
 NOCT:Irradiance 800W/m², Ambient temperature 20 °C, Wind speed 1m/s

ENGINEERING DRAWINGS

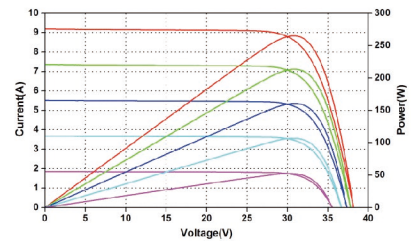


Manufactured in China

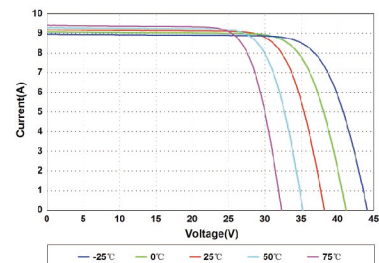
MATERIAL DETAILS

Frame	Anodized aluminum
Glass	3.2mm low-iron tempered suede glass
Cell	6×10 pcs 156.75mm bifacial mono solar cell
Junction Box	Rated Current≥15A, Ip≥67, TUV & UL
Cable&Connector	4mm ² .MC4 or MC4 compatible

IV CURVES



Current-Voltage and Power-Voltage Curves at Different Irradiances



Current-Voltage Curves at Different Temperatures

PACKING DETAILS

Dimension	(mm)	1680×992×35
Weight	(kg)	19.2
Loading Capacity		360 pcs/20' GP 858 pcs/40' HC
Packing	pcs/pallet	30